

Fig. 1. Floor Opening Detail.

APPLICATION:

Horizontal installation of fire and combination fire/smoke dampers in concrete floors utilizing a steel deck may not allow the bottom angles to be placed against the steel deck on an even plane. This installation details how to properly install the required angles next to the steel deck.

NOTES:

1. Retaining angles are required on top and bottom sides of the damper as detailed in the damper installation instructions for the specific model. Angles may be reversed so that one leg of the angle points into the floor opening provided the required clearance is maintained between angle leg fasteners and the floor opening.

Important: When positioning damper in floor and attaching retaining angles to sleeve, ensure fasteners clear and do not penetrate damper frame. Failure to do so may prevent correct damper operation or closure due to fouling of linkage or damper blades.

2. Installation of the bottom angle against the uneven steel deck shall be done so the angles on each side of the sleeve are as close to the barrier as possible. The angles may be in different planes relative to each other (see Figures 1 and 2).
3. When viewed from the end of the sleeve, the angles must overlap each other in the corners to prevent "see through".

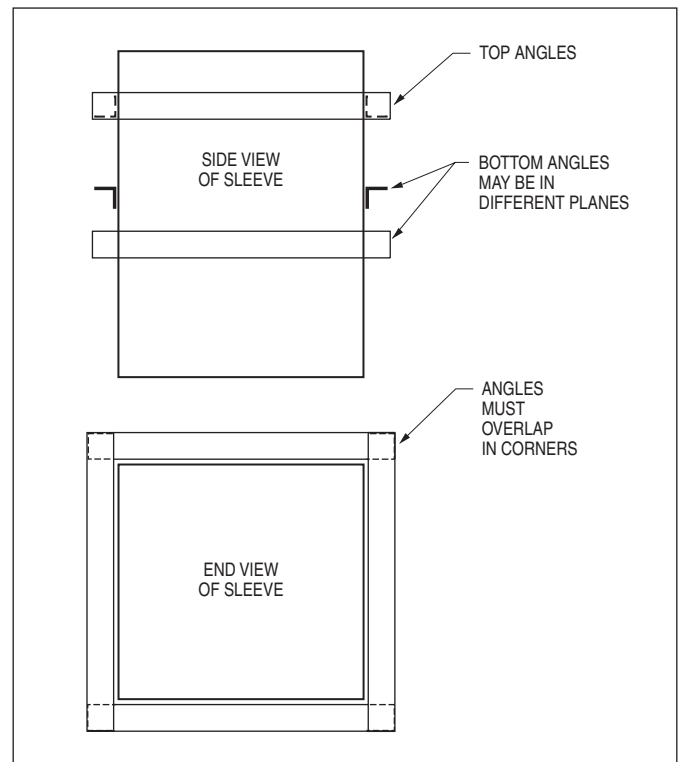


Fig. 2. Retaining Angle Detail

Refer to the Following Installation Instructions:

Curtain Type Fire Dampers (D)0100 & (D)0500	FDINST
Curtain Type Fire Dampers 0200 & 0500 Thinline	FDTINST
Multi-Blade Fire Dampers 1200 & 1250	MBFDINST
Combination Fire/Smoke Dampers 1220	1220INST
Combination Fire/Smoke Dampers 1270	1270INST



Dimensions are in inches (mm).



Houston, Texas
Tel: 281-590-1172
Fax: 281-590-3086

Las Vegas, Nevada
Tel: 702-648-5400
Fax: 702-638-0400

Toronto, Canada
Tel: 416-744-3300
Fax: 416-744-3360

Calgary, Canada
Tel: 403-279-8619
Fax: 403-279-5035