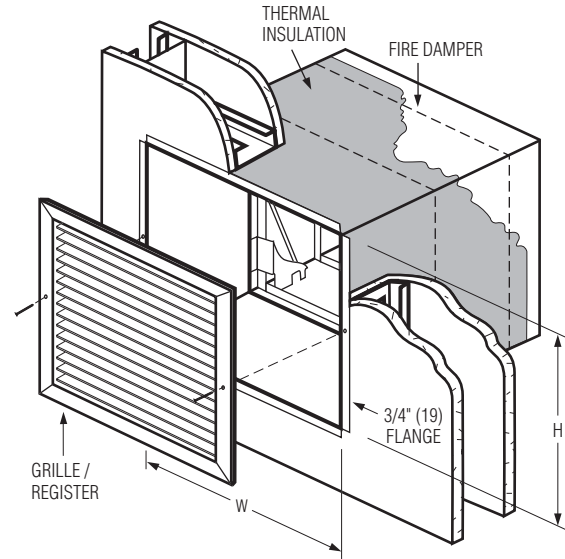


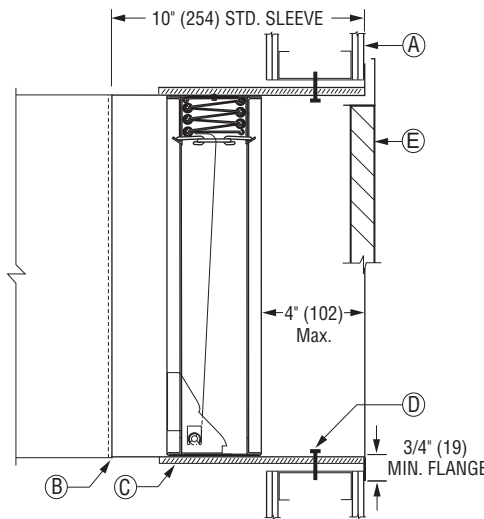
**QUALIFICATIONS:**

- Meets all the requirements of UL 555 and CAN/ULC-S112.
- Meets the requirements for NFPA 80, 90A and 101 as well as IBC and NBC (Canada) building codes.
- California State Fire Marshal Listing No. 3225-0935:113.
- City of New York. Pending.
- Vertical or Horizontal installation.

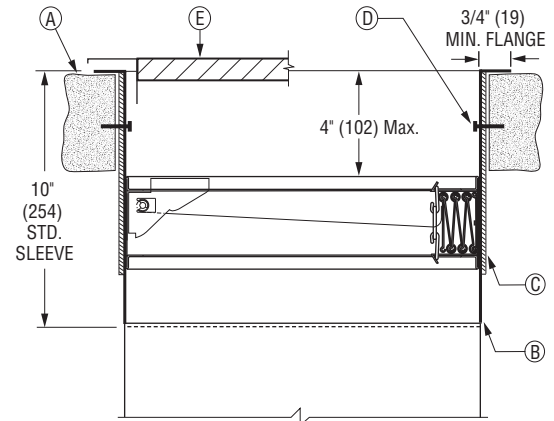


**ITEMS:**

- A.** Typical 2 hour rated vertical steel stud or masonry construction or horizontal concrete fire partition.
- B.** Duct connection (see Note 2).
- C.** Intumescent thermal insulation.
- D.** Fasteners (see note 4):
  - a. In metal stud / drywall walls and partitions and cavity shaft wall partitions, use #10 sheet metal screws.
  - b. In masonry wall or floor/ceiling construction, use #10 self-tapping concrete anchors.
- E.** Grille / Diffuser.



**VERTICAL MOUNT**



**HORIZONTAL MOUNT**

**APPLICATION:**

(D)0110GOW are "out of wall" or floor integral sleeve curtain type fire dampers, specifically designed for supply or return ducts that terminate at a grille or register. The (D)0110GOW design provides sufficient damper off-set [4" (102) standard] to accommodate most commercial grille/register designs while ensuring an approved installation in any fire partition or wall no matter how narrow. This model is particularly suited for use in common steel stud drywall partition designs, as narrow as 3 1/2" (89) where a traditional "within the plane of the wall" fire damper installation is not possible.

**NOTES:**

**IMPORTANT: DAMPER IS FURNISHED FULL-SIZE (See Note 3)**

1. Installation shall be in accordance with the appropriate requirements of the National Fire Protection Association Standard NFPA 90A latest edition.
2. **Damper Sleeve:** These dampers are supplied with a factory furnished sleeve which shall not be less than 16 gauge (1.16) coated steel. Sleeve thickness must be equal to or thicker than the duct connected to it. Sleeve may be attached to the duct with cleats, screws or other types of mechanical fasteners. The maximum sleeve thickness for such rigid joints is 10 gauge (3.51) for coated steel.
3. **Expansion Clearance and Opening Preparation.** To accommodate the damper sleeve thickness and insulation, frame and finish the opening so that it is 1/2" (13) larger in width and height than the duct size. Dampers are furnished with an inside sleeve dimension full ordered size to facilitate grille installation.

**4. Fasteners and Retaining Angles.** For installation in a masonry wall or floor / ceiling and metal stud drywall partitions, no rear retaining angles are required. Insert damper / sleeve combination into opening so that the 3/4" (19) flange is tight to the drywall or concrete. Secure the damper in the wall opening from inside the sleeve as shown above by use of the following:

- a. In metal stud / drywall walls, partitions and cavity shaft wall partitions, use minimum #10 sheet metal screws.
- b. In masonry walls or floor / ceilings use minimum #10 self-tapping concrete wall anchors. Anchors must penetrate wall or floor a minimum of 1 1/2" (38).

Fasteners shall be spaced a maximum of 6" (152) on center and 2" (51) maximum from corners, a minimum of two per side is required.

Alternatively, 1 1/2" x 1 1/2" x 16 gauge (38 x 38 x 1.61) rear retaining angles may be used in lieu of the above prescribed method and secured to the sleeve with 1/2" (12.7) long welds, 1/4" (6.35) dia. bolts and nuts, 3/16" (4.76) dia. steel rivets or #8 sheet metal screws, 8" (203) on center and 2" (51) maximum from corner of sleeve on all four sides.

**5. Maximum Size Limitations:**

Model	System	Mounting	Single Section	Multiple Section
0110GOW	Static	Vertical or Horizontal	36" x 24" (914 x 610)	—
D0110GOW	Dynamic	Vertical	24" x 24" (610 x 610)	36" x 24" (914 x 610) *
		Horizontal	24" x 24" (610 x 610)	

\* Maximum individual sections not to exceed 18" x 24" (457 x 610).

**IMPORTANT**

DO NOT CAST DAMPER IN PLACE.  
DO NOT INSTALL DAMPER OUT OF SQUARE OR OUT OF FLAT.

**REFER TO THE APPROPRIATE NAILOR INSTALLATION INSTRUCTION SUPPLEMENTS FOR ADDITIONAL INFORMATION OR SPECIAL REQUIREMENTS:**

STEEL AND WOOD STUD FRAMING	FDSWSFINST
CAVITY SHAFT WALL PARTITIONS	FDCSWINST
FLANGED TYPE ALTERNATIVE BREAKAWAY CONNECTIONS	FDFAFC
QUICK-SET RETAINING ANGLES	FDQSRA

Dimensions are in inches (mm).

Page 2 of 2



**Houston, Texas**  
Tel: 281-590-1172  
Fax: 281-590-3086

**Las Vegas, Nevada**  
Tel: 702-648-5400  
Fax: 702-638-0400

**Toronto, Canada**  
Tel: 416-744-3300  
Fax: 416-744-3360

**Calgary, Canada**  
Tel: 403-279-8619  
Fax: 403-279-5035