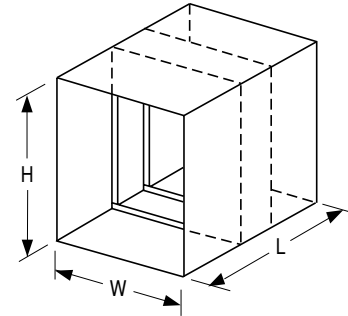


QUALIFICATIONS:

- **UL 555 Classified Fire Damper. 1 1/2 hr. label. (File # 9492).**
- **CAN/ULC-S112 Fire Damper Assemblies.**
- **Meets all the requirements of UL and NFPA 90A for fire dampers in static HVAC systems.**
- **Meets the requirements for BOCA, SBCCI, UBC, IBC, NBC (Canada) and associated local building codes.**
- **California State Fire Marshal Listing No. 03225-0935:113.**
- **City of New York Board of Standards and Appeals. Cal. No. 460-88-SA.**



Type 'A' – Blades and frame in the airstream.

Models: 0114V Vertical and 0114H Horizontal

Min. size - Vertical or Horizontal 4" x 4" (102 x 102)
 Max. size - Vertical or Horizontal 48" x 48" (1219 x 1219)

The 0100 curtain fire dampers are UL approved for use where local building codes require the protection of HVAC ductwork penetrations in walls, partitions or floors that have a fire resistance rating of up to 2 hours. The 0100s are classified for use only in static "fans off" systems where the HVAC system is automatically shut down in the event of a fire alarm. Integral sleeve fire dampers offer convenience and labor savings. The costly requirement to field or shop fabricate custom sleeves is eliminated and dampers can therefore ship directly from the manufacturer to the job site – saving time and money.

Optional "Quick-Set" retaining angles complete the installation package. Factory fabricated, sized and shipped with damper, they install quickly, provide further labor savings and eliminate the need for any field fabrication.

STANDARD SPECIFICATION:

INTEGRAL

SLEEVE/FRAME: 22 ga. (0.85) roll-formed G60 galvanized steel.
 01 x 4 x -12 Length 12" (305)
 01 x 4 x -14 Length 14" (356)
 01 x 4 x -16 Length 16" (406)

BLADES: Curtain type interlocking blades, 22 ga. (0.85) roll-formed G60 galvanized steel.

FUSIBLE LINK: 165°F (74°C) standard. UL Listed.
 212°F (100°C) available.

BLADE CLOSURE: Vertical mount model; gravity.
 Horizontal mount models are equipped with stainless steel closure springs and galvanized steel locking ramps.

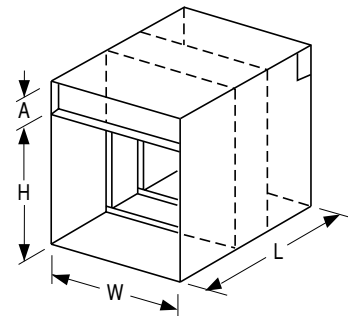
OPTIONS:

- Non-standard temperature fusible link. Specify _____.
 - QS1** Quick-set retaining angles (single set).
 - QS2** Quick-set retaining angles (pair).
- Hemmed Sleeve for slip and drive connection (Type A and B only):
- HM2** (both ends). **HM1** (one end).
 - Pull Tab Release. Permits simple reset of horizontal damper when access door is located below damper. (See dwg. FDPTR for details).

NOTES:

1. Building code and UL Classification require damper installation in accordance with manufacturer's instructions. Refer to documents FDINST, FDTINST and FDSWSFINST.

Manufactured by members of S.M.W.I.A.

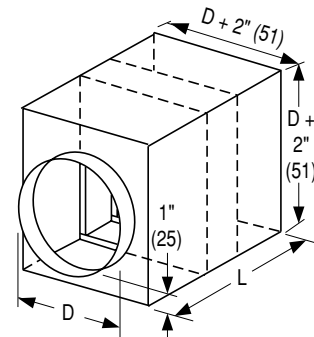


Type 'B' – Blades out of airstream.

Models: 0124V Vertical and 0124H Horizontal

Min. size - Vertical 4" x 3" (102 x 76)
 Horizontal 4" x 4" (102 x 102)
 Max. size - Vertical or Horizontal 48" x 43" (1219 x 1092)

| Damper Height (H) | Dim. 'A' |
|------------------------------|----------|
| 5" thru 17" (127 thru 432) | 2" (51) |
| 18" thru 27" (457 thru 686) | 3" (76) |
| 28" thru 36" (711 thru 914) | 4" (102) |
| 37" thru 43" (940 thru 1092) | 5" (127) |



Type 'CR' – Round transition collars. Blades partially in airstream.

Models: 0134V Vertical and 0134H Horizontal

Min. size - Vertical 3" dia. (76)
 Horizontal 4" dia. (102)
 Max. size - Vertical or Horizontal 42" dia. (1067)



Houston, Texas
Tel: 281-590-1172
Fax: 281-590-3086

Ft. Lauderdale, Florida
Tel: 954-351-2444
Fax: 954-351-2440

Las Vegas, Nevada
Tel: 702-648-5400
Fax: 702-638-0400

Toronto, Canada
Tel: 416-744-3300
Fax: 416-744-3360

Calgary, Canada
Tel: 403-279-8619
Fax: 403-279-5035