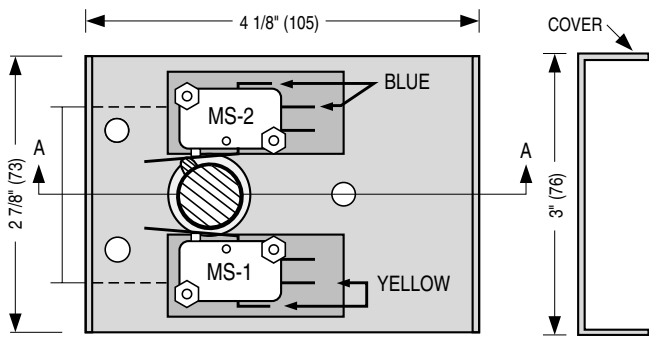
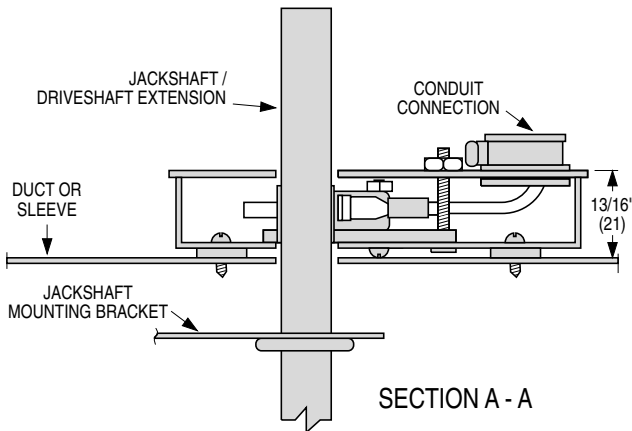


APPLICATION:

- The MLS-300 Position Indicator Package operates as a function of the damper blade position and provides the ability to remotely indicate damper blade position.
- The MLS-300 incorporates two SPDT switches and provides a positive open or closed signal when used in conjunction with remote indicator lights. MLS-300's are used in active smoke control management systems to positively indicate the status of all combination fire/smoke and smoke dampers in the building.
- The MLS-300 is available only as a factory installed option on combination fire / smoke and smoke dampers.



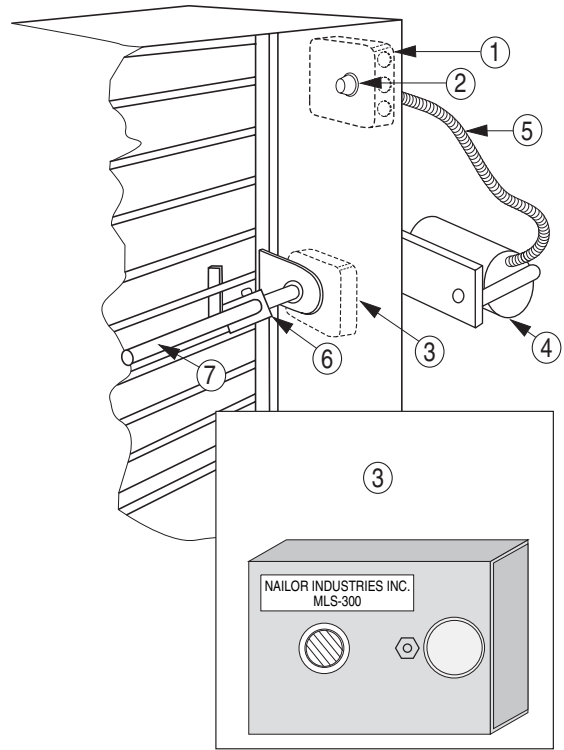
EXTERNAL RIGHT HAND MOUNTING: FRONT VIEW (LESS COVER)



SECTION A - A

Position Indicator Microswitch Data:

Switch Type: Single Pole double throw (2)
 15 Amps, 1/3 HP, 125, 250 Vac or 24 Vdc.
 1/2 Amp, 125 Vdc. 1/4 Amp, 250 Vdc.



Typical Combination Fire / Smoke Damper Installation With UL Listed Actuator Description:

1. Electrical Junction Box. [and EP switch with pneumatic actuator(s)]
2. ERL 165, 212, 250, 350 Electric Resettable Link (Heat Sensor)
3. MLS-300 Position indicator package
4. Actuator (pneumatic illustrated).
5. Silicone Tubing or Flexible Conduit
6. Over-Center Knee Lock
7. Jackshaft

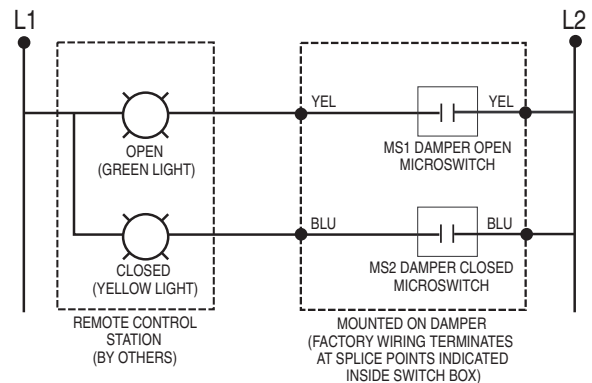


Figure 1. MLS-300 Wiring Schematic.

Dimensions are in inches (mm).

Electrical Connections:

1. Remove cover of junction box. There are four or six coded color wires. Four wires are the MLS-300 position indicator package. If six wires are present, the additional two are the field connection for either an electric actuator or an EP switch for a pneumatic actuator.

MS1 is damper open signal.

MS2 is damper closed signal.

Important: Installer must double check continuity of **MS1** and **MS2** before wiring to confirm which switch signals the damper's open or closed position.

2. Connect external wiring and electrical power supply (120 or 24 Vac) in accordance with N.E.C. and any applicable local codes.
3. Replace junction box cover and check operation.

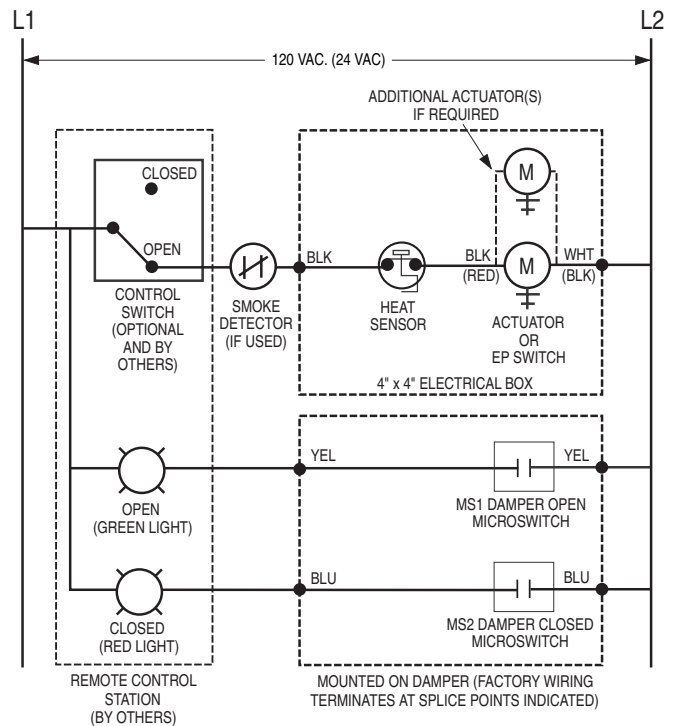


Figure 2. Combination Fire/Smoke Damper Wiring Schematic.

Dimensions are in inches (mm).

Page 2 of 2



Houston, Texas
Tel: 281-590-1172
Fax: 281-590-3086

Las Vegas, Nevada
Tel: 702-648-5400
Fax: 702-638-0400

Toronto, Canada
Tel: 416-744-3300
Fax: 416-744-3360

Calgary, Canada
Tel: 403-279-8619
Fax: 403-279-5035