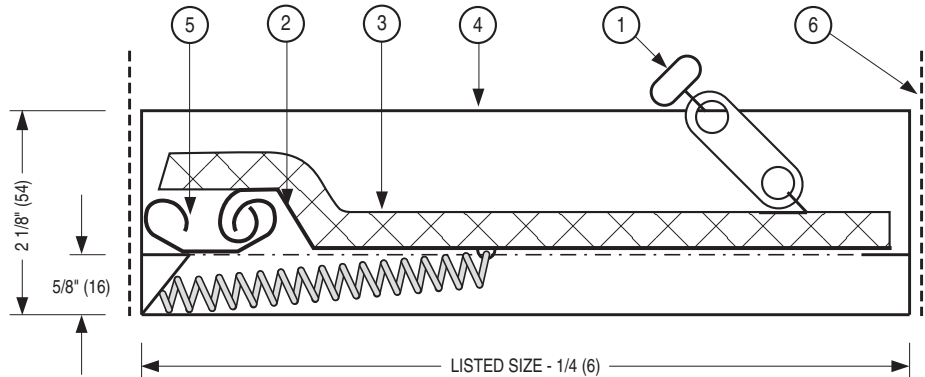


FOR USE IN AIR HANDLING OPENINGS IN CEILINGS FOR PROTECTION AGAINST FIRE AND HEAT RADIATION

QUALIFICATIONS:

- UL 555C Classified Ceiling Damper. (File # R9660).
- CAN4-S112.2 Ceiling Firestop Flap Assemblies.
- California State Fire Marshal: Fire Damper Listing No. 3225-0935:102.
- City of New York Board of Standards and Appeals. Cal. No. 460-88-SA.
- Meets the requirements for NFPA 90A, IBC, BOCA, SBCCI, UBC, NBC (Canada) and associated local building codes.



CLOSED POSITION

DESCRIPTION:

Ceiling dampers (known as Fire Stop Flaps in Canada) are designed to function as a fire and heat barrier in air handling openings penetrating fire resistive membrane ceilings. The 0700 Series is for use in lieu of hinged door type dampers in any UL/ULC floor/ceiling or roof/ceiling assembly with up to a 3 hour fire resistance rating where air handling openings are permitted.

The Model 0714 single blade design provides a high free area and little obstruction to airflow when open.

CONSTRUCTION:

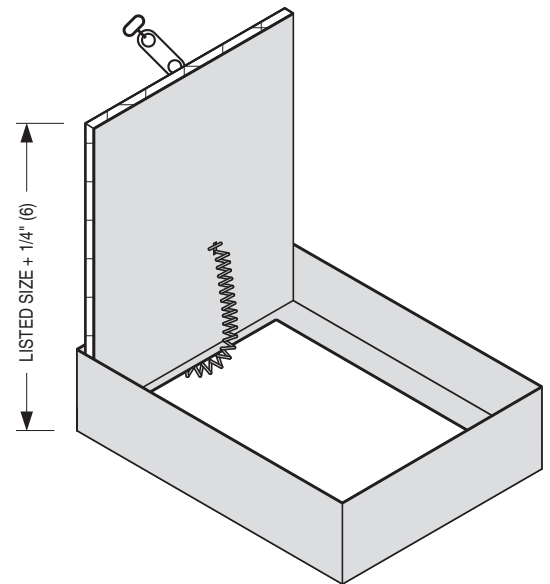
1. U.L. Listed fusible link, 212°F (100°C), standard.
2. Blades: 22 ga. (0.85) G60 galvanized steel.
3. Insulation: Non-asbestos UL Classified on units over 80 sq. in. (516 sq. cm) finished size, standard. Not required on smaller units.
4. Frame: Roll-formed 22 ga. (0.85) G60 galvanized steel.
5. Hinge.
6. Duct drop (by others).

NOTES:

1. Maximum unit size is 24" W x 24" H (610 x 610). Minimum unit size is 4" W x 4" H (102 x 102).
2. Installation Instructions: Refer to documents IOM-CRDSINST and CRDTBINST.

OPTIONS:

1. Non-standard temperature U.L. Listed fusible link.
 - 165°F (74°C)



OPEN POSITION

SCHEDULE TYPE:

PROJECT:

ENGINEER:

CONTRACTOR:

Dimensions are in inches (mm).

| DATE | B SERIES | SUPERSEDES | DRAWING NO. |
|--------------|----------|--------------|-------------|
| 11 - 8 - 04R | 0700 | 31 - 3 - 00R | 0700-1 |