



CEILING RADIATION DAMPER
 FOR WOOD TRUSS CEILING ASSEMBLIES
 DUCTED • FIBERGLASS PLENUM BY OTHERS
MODEL: 0757D



MODEL SELECTION:

- 0757D Ducted.

QUALIFICATIONS:

- **UL 263 CLASSIFIED CEILING RADIATION DAMPER. Category CABS. (File # R9660)**
 1 hour rated for use in UL floor/ceiling design numbers L550/L562/L574/L579 and roof/ceiling design numbers P531/P538/P545. (Equal to designs L546/ L521 and P522 respectively).
- Meets NFPA 90A requirements

DESCRIPTION:

Ceiling dampers are designed to function as a heat barrier in air handling openings penetrating fire resistive membrane ceilings. The Model Series 0757 has been especially designed and tested to provide protection and simple installation in specific UL design wood truss ceiling assemblies.

Model 0757D is designed for installation in the supply (or return) ductwork take-off from an AHU where it penetrates the ceiling and provides a multiple-outlet plenum to feed 0757/grille or diffuser assemblies. May also be used as a return.

CONSTRUCTION:

1. UL listed fusible link, 212°F (100°C) standard.
2. Blades: 22 ga. (0.85) G60 roll-formed galvanized steel.
3. Blade Insulation: Non-asbestos UL Classified.
4. Damper frame: 24 ga. (0.70). G60 galv. steel.
5. Fiberglass plenum by others. 1" – 1 1/2" (25 – 38) thick rigid duct board (R4 – R6).
6. Cutting and installation of collars for UL Classified Class 0 or I Flexible Air Duct connection by others. Maximum of three.
7. 7/8" (22) min. plaster flange.
8. Damper sleeve is extended below ceiling for ducted connection.

OPTIONS:

1. Non-standard temp. UL listed fusible link
 165°F (74°C)
2. Optional Damper Styles:
 0714 Single Blade Damper
 0720 Low Profile Curtain Damper
3. Installation Support Angles. 26" (660) long.
 ISA 2 @ 3/4" x 3/4" x 16 ga. (19 x 19 x 1.6) or
 ISB 2 @ 1 1/2" x 1 1/2" x 22 ga. (38 x 38 x 0.85)

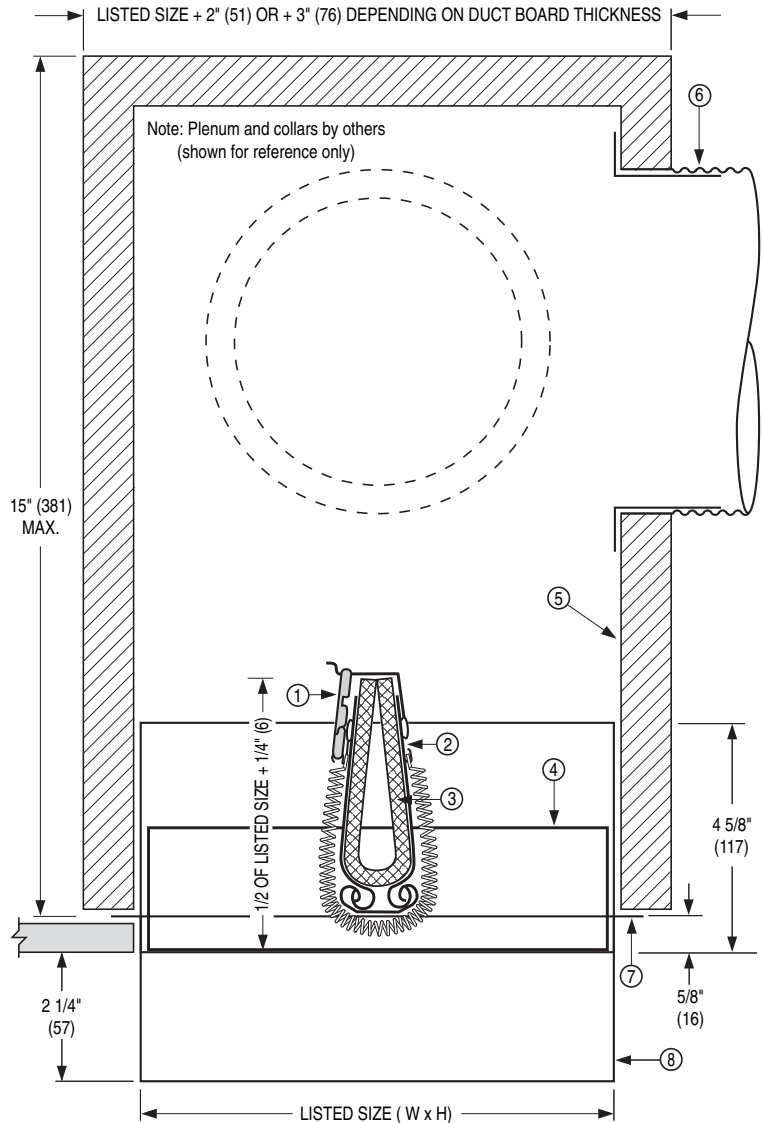
NOTES:

Minimum Size: 6" W x 4" H (152 x 102)

Maximum Size: 21" W x 18" H (533 x 457)

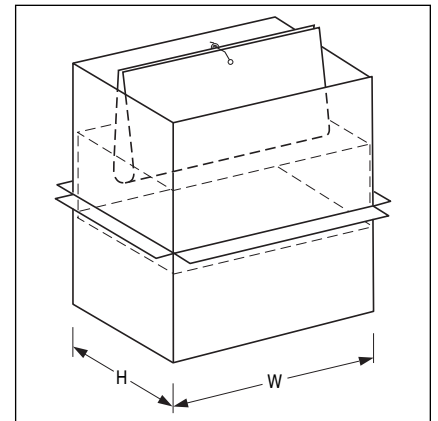
Building code and UL Classification require damper installation in accordance with manufacturer's instructions.

See Doc. IOM-CRD0757INST.



Note:

0716 style damper shown.
 0714 Single Blade or
 0720 Low Profile Curtain
 Damper also available.
 See Options #2.



Dimensions are in inches (mm).

SCHEDULE TYPE:				
PROJECT:				
ENGINEER:				
CONTRACTOR:				
DATE	B SERIES	SUPERSEDES	DRAWING NO.	
12 - 12 - 11	0700	10 - 12 - 06	0757D	