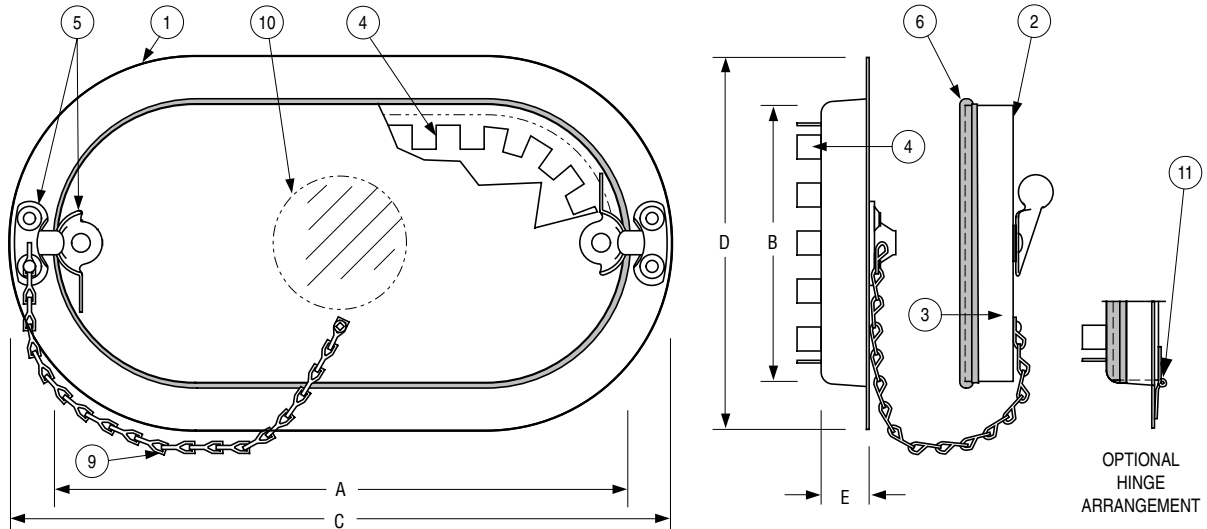




**FLAT OVAL DUCT ACCESS DOORS**  
**KNOCK-OVER TABS • ULTRA-LOW LEAKAGE**  
**SIZES: 8 x 5, 12 x 6 AND 18 x 10**  
**MODEL SERIES: 0800 TYPE M2**

FOR USE IN LOW, MEDIUM AND HIGH PRESSURE DUCT SYSTEMS



NOMINAL SIZE	DIMENSIONS						QTY. PER CARTON
	A	B	C	D	E	VIEWPORT	
8 x 5 (203 x 127)	8 (203)	5 (127)	9 1/2 (241)	6 1/2 (165)	1 1/8 (29)	N/A	20
12 x 6 (305 x 152)	11 3/4 (298)	5 3/4 (146)	13 3/4 (349)	7 3/4 (197)	1 1/8 (29)	2 3/4 DIA. (70)	10
18 x 10 (457 x 254)	17 3/4 (451)	9 3/4 (248)	19 3/4 (502)	11 3/4 (298)	1 1/8 (29)	5 1/2 DIA. (140)	10

**MODEL DESCRIPTION:**

Ultra-low leakage, premium quality and performance access door. Flat oval design optimizes access area and simplifies installation. Notched knock-over tabs method of installation. (Type M2). Camlock operation for positive seal and easy opening.

**STANDARD CONSTRUCTION:**

1. Die-formed 24 ga. (.7) galv. flanged frame for extra strength.
2. Die-formed 24 ga. (.7) galv. door panel for extra strength.
3. 1" (25) insulation with 24 ga. (.7) galv. backing plate.
4. Notched knock-over tabs.
5. Plated steel camlock fasteners.
6. Positive bulb door seal.
7. Layout template included on carton.
8. Oval shaped opening adaptable to all ducts 5" (127) or over.

**OPTIONS:**

- 9.  SC Safety chain.
- 10.  VP Viewport.
- 11.  HG Hinge arrangement.
- 12.  UI Uninsulated.

**LEAKAGE INFORMATION:**

Tested in conformance to British Standard DW142 Class C. The maximum leakage at 8" w.g. (2 kPa):  
 8" x 5" (203 x 127): 0.036 cfm (1.02 l/min.)  
 12" x 6" (305 x 152): 0.064 cfm (1.8 l/min.)  
 18" x 10" (457 x 254): 0.133 cfm (3.78 l/min.)

<b>SCHEDULE TYPE:</b>	
<b>PROJECT:</b>	
<b>ENGINEER:</b>	
<b>CONTRACTOR:</b>	

Dimensions are in inches (mm).

DATE	B SERIES	SUPERSEDES	DRAWING NO.
4 - 20 - 04	0800	5 - 93RR	0800-2