



**COUNTERBALANCED BACKDRAFT DAMPER**  
**STANDARD PERFORMANCE • MEDIUM DUTY**  
**EXTRUDED ALUMINUM BLADES & FRAME**  
**MODEL: 1370CB**

Model 1370CB is a standard performance counterbalanced backdraft damper designed to automatically prevent the backflow of air while allowing for automatic air intake or exhaust/pressure relief in medium duty HVAC applications. Corrosion-resistant extruded aluminum construction highlights the model's features which include a reinforced mitered corner frame that resists racking, and aerodynamic blades that overlap the jambs for maximum weather protection. Extruded PVC blade seals provide quiet closure as well as extra weather protection. Blade linkage is concealed in jamb for low pressure drop and provides smooth operation at system velocities of up to 1500 fpm. Blade mounted counterweights are easily adjusted to desired opening pressure.

**STANDARD CONSTRUCTION:**

**FRAME:** 2" (51) wide x .090" (2.3) nominal wall thickness type 6063-T5 extruded aluminum. Corners are mitered.

**BLADES:** .050" (1.3) nominal wall thickness type 6063-T5 extruded aluminum on 3 5/8" (92) centers.

**LINKAGE:** Concealed in jamb.

**BEARINGS:** Synthetic type.

**BLADE SEALS:** Extruded PVC.

**COUNTER-BALANCE:** Adjustable, plated steel weights mounted internally (in the airstream).

**FINISH:** Mill.

**MINIMUM SIZE:** 6" x 7" (152 x 178).

**MAXIMUM SIZE:** Single Section: 40" x 48" (1016 x 1219).

Multiple section: Unlimited.

**MAXIMUM TEMPERATURE:** 200°F (93°C).

**MAXIMUM BACK PRESSURE:** 3 to 6 in. w.g. (see page 2).

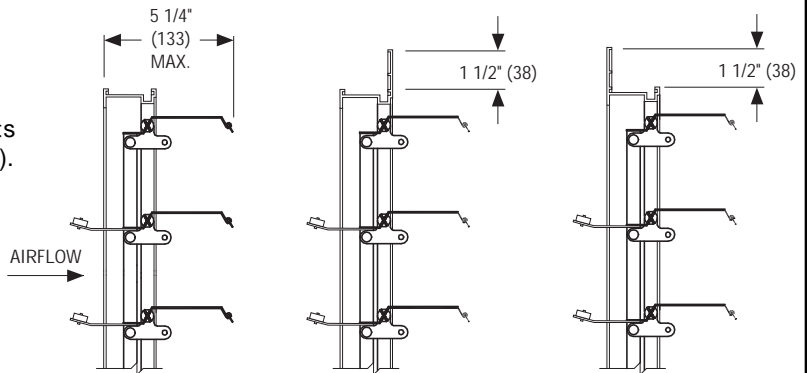
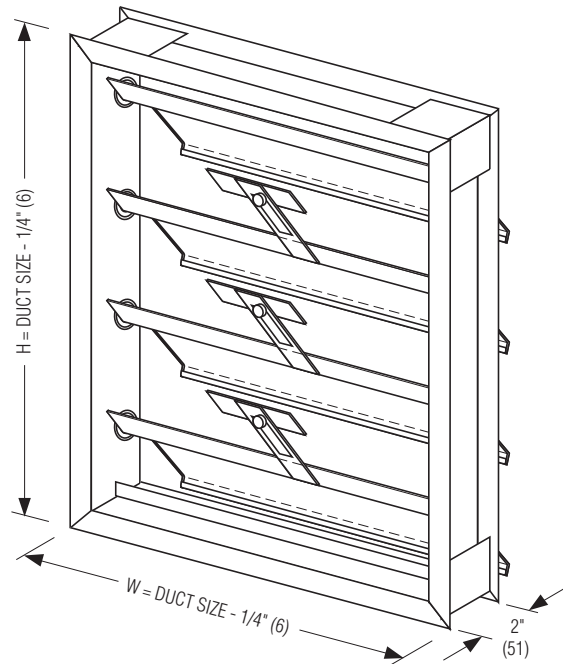
**MAX. SYSTEM VELOCITY:** 1500 fpm (2500 fpm maximum spot velocity).

**MOUNTING:**

- VM Vertical mount (standard)
- HMU Horizontal mount (airflow up)
- HMD Horizontal mount (airflow down)

**OPTIONS:**

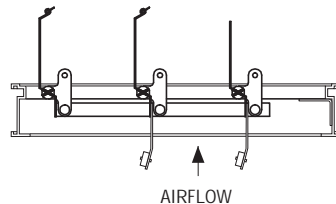
- FF Front flange
- FFB Front flange with bolt holes
- FR Rear flange
- FRB Rear flange with bolt holes
- Special features: \_\_\_\_\_ .



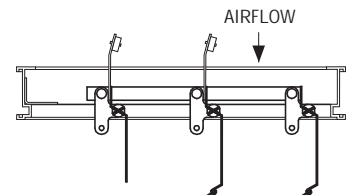
**Channel Frame (Duct Mount) (Standard CF)**

**Front Flange (on discharge side) (Option FF)**

**Rear Flange (on intake side) (Option FR)**



**Horizontal Mount – Airflow up (Option HMU) (Available on all frame styles)**



**Horizontal Mount – Airflow down (Option HMD) (Available on all frame styles)**

|                       |  |
|-----------------------|--|
| <b>SCHEDULE TYPE:</b> |  |
| <b>PROJECT:</b>       |  |
| <b>ENGINEER:</b>      |  |
| <b>CONTRACTOR:</b>    |  |

Page 1 of 2  
 Dimensions are in inches (mm).

|             |                 |                   |                    |
|-------------|-----------------|-------------------|--------------------|
| <b>DATE</b> | <b>B SERIES</b> | <b>SUPERSEDES</b> | <b>DRAWING NO.</b> |
| 1 - 1 - 12  | 1300            | 10 - 1 - 04       | 1370CB             |



**COUNTERBALANCED BACKDRAFT DAMPER  
STANDARD PERFORMANCE • MEDIUM DUTY  
EXTRUDED ALUMINUM BLADES & FRAME  
PERFORMANCE DATA  
MODEL: 1370CB**

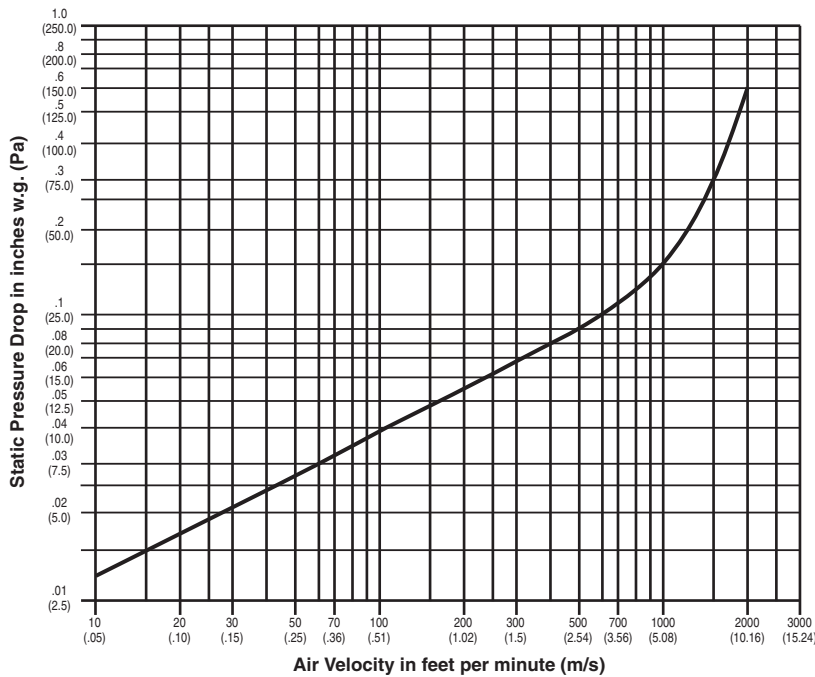
**PERFORMANCE LIMITATIONS AND LEAKAGE DATA:**

| Damper Width | Maximum Back Pressure | Maximum System Velocity | Operational Data     |                      | Leakage*          |                 |
|--------------|-----------------------|-------------------------|----------------------|----------------------|-------------------|-----------------|
|              |                       |                         | Blades Begin Opening | Blades Fully Open    | % of Maximum Flow | CFM per Sq. Ft. |
| 40" (1016)   | 3.0" w.g.             | 1500 fpm                | .01" w.g.<br>(2 Pa)  | .10" w.g.<br>(25 Pa) | 1.00              | 15              |
| 36" (914)    | 4.0" w.g.             | 1500 fpm                |                      |                      | 1.00              | 15              |
| 24" (610)    | 5.0" w.g.             | 1500 fpm                |                      |                      | 1.20              | 18              |
| 12" (305)    | 6.0" w.g.             | 1500 fpm                |                      |                      | 2.67              | 40              |

Pressure and velocity limitations shown are guidelines for design purposes. Although ratings are on the conservative side, contact Nailor for requirements beyond limitations shown.

\*Leakage data is based upon a pressure differential of 1 in. w.g., tested in accordance with AMCA Standard 500-D.

**PRESSURE DROP: SIZE: 36" x 36" (914 x 914)**



Tested per AMCA Standard 500-D using test set-up Figure 5.5, plenum mounted.

|                       |  |                                |                 |                   |                    |
|-----------------------|--|--------------------------------|-----------------|-------------------|--------------------|
| <b>SCHEDULE TYPE:</b> |  | Page 2 of 2                    |                 |                   |                    |
| <b>PROJECT:</b>       |  | Dimensions are in inches (mm). |                 |                   |                    |
| <b>ENGINEER:</b>      |  | <b>DATE</b>                    | <b>B SERIES</b> | <b>SUPERSEDES</b> | <b>DRAWING NO.</b> |
| <b>CONTRACTOR:</b>    |  | 1 - 1 - 12                     | 1300            | 10 - 1 - 04       | 1370CB             |