

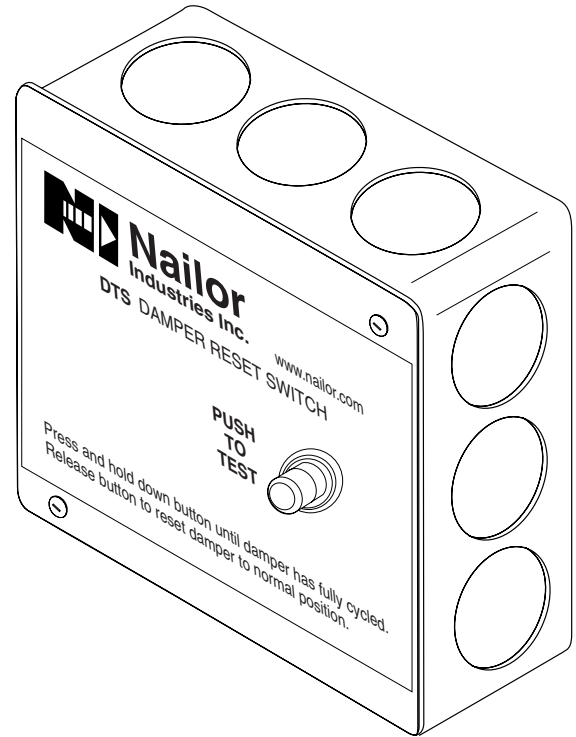


DAMPER TEST SWITCH
 FOR USE WITH ALL SMOKE AND COMBINATION
 FIRE/SMOKE DAMPERS
MODEL: DTS

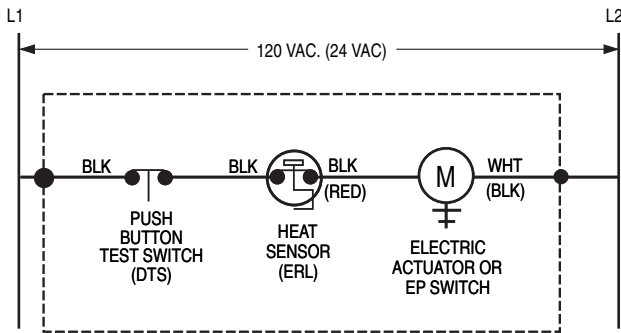
The DTS (Damper Test Switch) is an optional "momentary" push button test switch available on all Nailor smoke and combination fire/smoke dampers. The DTS provides the ability to "cycle test" the damper by pushing and holding down the button until the damper has cycled and closure has been visually verified, either by inspecting the damper through the access door or by confirmation at a remote control panel when equipped with the optional MLS-300 position indicator.

The DTS is mounted right on the damper and enables a single maintenance person to test and cycle the damper, eliminating the need for help from another person in the control room.

When a combination fire/smoke damper is ordered, the DTS is combined with the ERL (Electric Resettable Link), in a common enclosure. If ordered with an MLS-300 position indicator switch package as well, the DTS will be combined with both in a common enclosure.



WIRING DIAGRAMS:



MOUNTED ON DAMPER (FACTORY WIRING TERMINATES AT SPLICE POINTS INDICATED INSIDE 4" x 4" ELECTRICAL BOX)

Figure 1. DTS/ERL Damper Test Switch with Electric Resettable Link

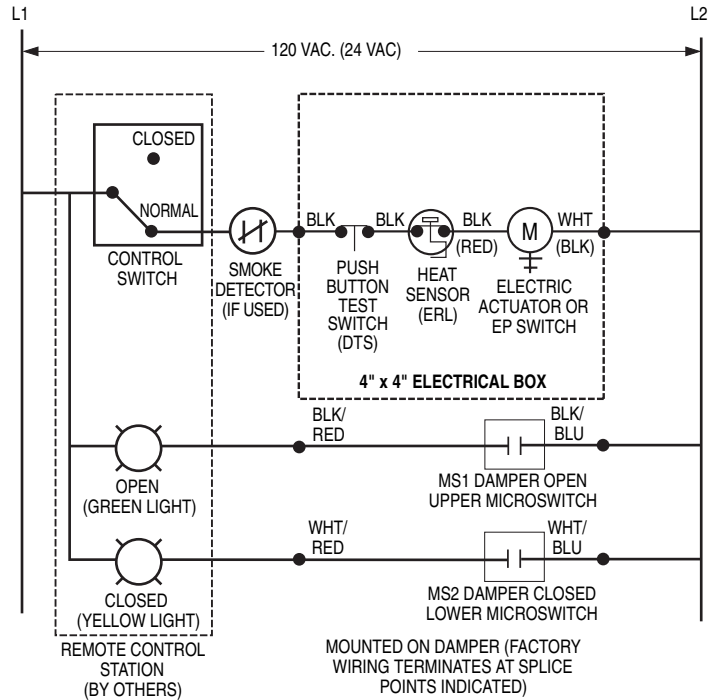


Figure 2. DTS/ERL with MLS-300 (Honeywell rotary cam type) Position Indicator Package

SCHEDULE TYPE				
PROJECT				
ENGINEER	DATE	B SERIES	SUPERSEDES	DRAWING NO.
CONTRACTOR	7 - 21 - 10	FD-ACC	9 - 18 - 07	DTS