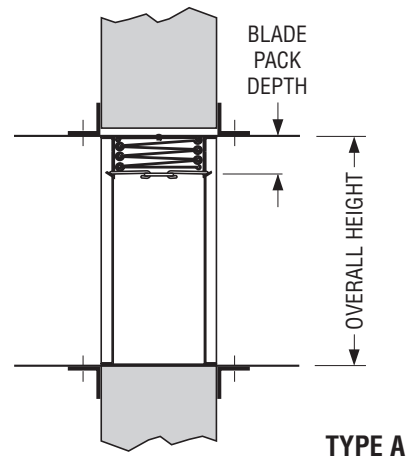




FIRE DAMPER SIZING CHART • IMPERIAL
WIDE FRAME (6" WIDE)
MODELS 0310 AND 0540 TYPE A

DUCT OPENING HEIGHT (inches)	TYPE "A" OVERALL HEIGHT (inches)	BLADE PACK DEPTH (inches)
4	3 3/4	3/4
5	4 3/4	7/8
6	5 3/4	7/8
7	6 3/4	7/8
8	7 3/4	1 1/4
9	8 3/4	1 1/4
10	9 3/4	1 1/4
11	10 3/4	1 3/8
12	11 3/4	1 3/8
13	12 3/4	1 3/8
14	13 3/4	1 5/8
15	14 3/4	1 5/8
16	15 3/4	1 5/8
17	16 3/4	1 3/4
18	17 3/4	1 3/4
19	18 3/4	1 3/4
20	19 3/4	2
21	20 3/4	2
22	21 3/4	2
23	22 3/4	2
24	23 3/4	2 1/4
25	24 3/4	2 1/4
26	25 3/4	2 1/2
27	26 3/4	2 1/2
28	27 3/4	2 1/2
29	28 3/4	2 1/2
30	29 3/4	2 5/8
31	30 3/4	2 5/8
32	31 3/4	2 5/8
33	32 3/4	2 5/8
34	33 3/4	2 7/8
35	34 3/4	2 7/8
36	35 3/4	2 7/8
37	36 3/4	3 1/8
38	37 3/4	3 1/8
39	38 3/4	3 1/8
40	39 3/4	3 3/8
41	40 3/4	3 3/8
42	41 3/4	3 3/8
43	42 3/4	3 3/8
44	43 3/4	3 1/2
45	44 3/4	3 1/2
46	45 3/4	3 1/2
47	46 3/4	3 3/4
48	47 3/4	3 3/4
49	48 3/4	3 3/4
50	49 3/4	3 3/4
51	50 3/4	3 7/8
52	51 3/4	3 7/8
53	52 3/4	3 7/8
54	53 3/4	4 1/8
55	54 3/4	4 1/8
56	55 3/4	4 1/8
57	56 3/4	4 1/8
58	57 3/4	4 1/4
59	58 3/4	4 1/4
60	59 3/4	4 1/4



DAMPER OVERALL WIDTH
 = Duct Opening - 1/4".

SCHEDULE TYPE:
PROJECT:
ENGINEER:
CONTRACTOR:

Dimensions are in inches (mm).

DATE	B SERIES	SUPERSEDES	DRAWING NO.
8 - 2 - 02	FD	10 - 22 - 01	SC5