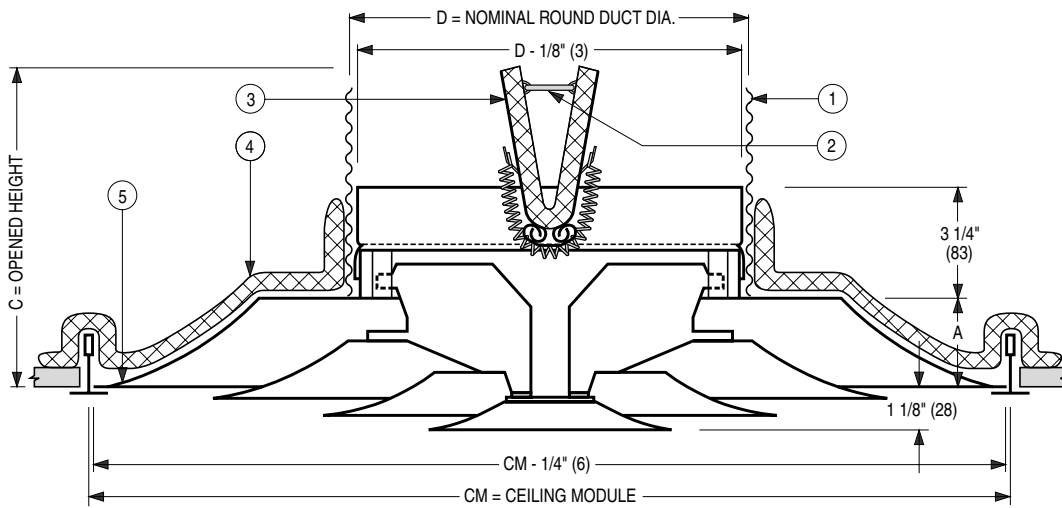




**FIRE RATED CEILING DIFFUSER**  
**FIXED PATTERN • LOUVERED FACE •**  
**STEEL • ROUND NECK • 4 CONE**  
**MODELS: 4010 AND 4020**



CATEGORY  
BZZU



CATEGORY  
40U18.1-1/2A



	Imperial Modules						Metric Modules		
	Imperial Units (inches)			SI Units (mm)			SI Units (mm)		
Listed Neck Size	CM = 12 x 12			CM = 305 x 305			CM = 300 x 300		
	D	A	C	D	A	C	D	A	C
	6	1	5 1/2	152	25	140	152	25	140
	8		6 1/2	203		165	203		165
Listed Neck Size	CM = 24 x 24			CM = 610 x 610			CM = 600 x 600		
	D	A	C	D	A	C	D	A	C
	6		6 13/16	152		173	152		173
	8		7 13/16	203		198	203		198
	10	2 5/16	8 13/16	254	59	224	254	59	224
	12		9 13/16	305		249	305		249
	14		10 13/16	356		275	356		275

**MODEL 4010**  
 12 x 12 (300 x 300) module  
 Type L Lay-in Frame

**MODEL 4020**  
 24 x 24 (600 x 600) module  
 Type L Lay-in Frame

**ITEMS:**

1. Flexible air duct (UL/ULC Class 0 or 1) connector or steel duct.
2. U.L. Listed fusible link. 212°F (100°C) standard.
3. Ceiling radiation damper/fire stop flap.
4. Ceramic fibre thermal blanket.
5. Corrosion resistant steel diffuser.

**DESCRIPTION:**

1. All models are classified for use in UL/ULC restrained or unrestrained floor/ceiling and or roof/ceiling assemblies which incorporate an exposed grid suspended ceiling (lay-in T-bar) with up to a 3 hour rating. For details of fire rated assemblies, see the current UL Fire Resistance Directory or ULC List of Equipment and Materials Vol. III Fire Resistant Ratings.
2. A spring clip arrangement permits quick, easy installation and removal of the inner cone assembly.
3. The diffuser delivered air in a true 360° streamline pattern. Excellent for VAV systems.

4. The diffuser consists of four die-formed concentric cones in all sizes which eliminate mitered corners and provide uniform appearance in all neck sizes.
5. Standard finish is AW Appliance white.

**OPTIONS:**

1.  AV Fusible link adjustable volume control (Model 0722A damper)
2. Non-standard temperature U.L. Listed fusible link.  
 165°F (74°C)      286°F (141°C)
3. Finish:  
 SP Special

**For installation instructions, see drwgs. 4000-1A and 1B or 4000-2A and 2B.**

Dimensions are in inches (mm).

<b>SCHEDULE TYPE:</b>				
<b>PROJECT:</b>				
<b>ENGINEER:</b>	<b>DATE</b>	<b>B SERIES</b>	<b>SUPERSEDES</b>	<b>DRAWING NO.</b>
<b>CONTRACTOR:</b>	19 - 4 - 99RR	4000	4 - 28 - 97	4000-3A