



**FIRE RATED DUCTLESS RETURN AIR
CEILING DAMPER FOR OPTIONAL GRILLE
RAISED TYPE
MODELS: 4127, 4128 & 4129**

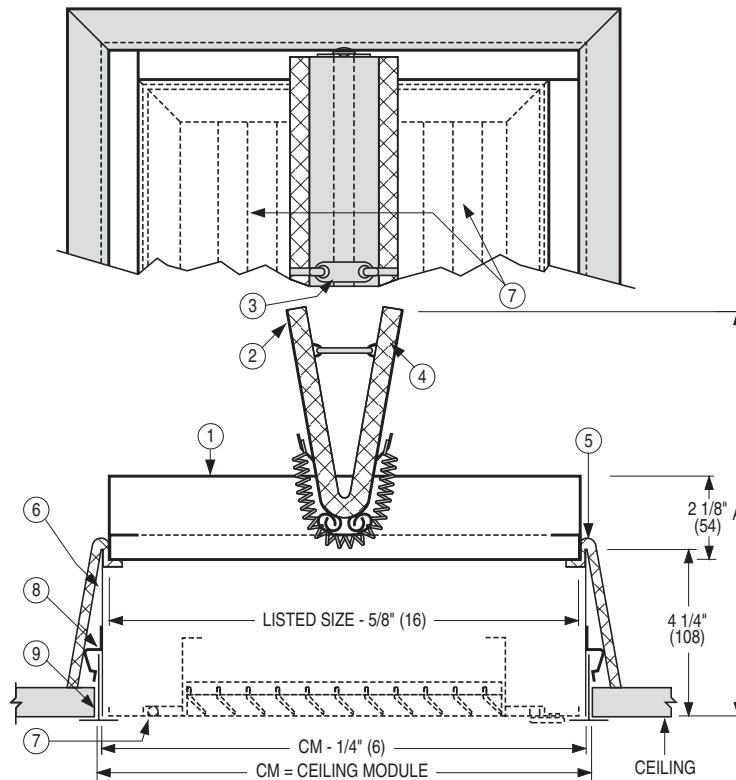
Models:

4127, 4128, 4129

**Some Commonly Selected Nailor
Grille and Register Options:**

- **61EC (-0) Type L**
Steel Return Air Eggcrate Grille (Register).
- **6145H (-0)**
Steel Return Air Grille (Register with Opposed Blade Damper). Fixed 45° Deflection blades on 3/4" (19) centers.
- **5145H (-0)**
Aluminum Return Air Grille (Register with Opposed Blade Damper). Fixed 45° Deflection blades on 3/4" (19) centers.
- **7145H (-0)**
Premium Airfoil Blade
Aluminum Return Air Grille (Register).
- **61FPL**
Steel Perforated Face Filter Grille.

Note: Maximum grille depth capacity for this model is 4" (102).



CATEGORY
BZZU & CABS



CATEGORY
40U18.2W

DESCRIPTION:

1. Damper frame: galvanized steel, standard.
2. Damper blades: galvanized steel, standard.
3. U.L. Listed fusible link: 212°F (100°C) standard.
4. Blade insulation: ceramic fiber.
5. Shroud: ceramic fiber.
6. Extension frame: galvanized steel, standard.
7. Steel or aluminum return grille/register as required.
8. Ceiling grid clip: 4 attached. 2 each on opposite sides.
9. Supplementary (or existing) ceiling grid member.

OPTIONS:

1. Non-standard temperature U.L. Listed fusible link.
 - 165°F (74°C)
 - 286°F (141°C)
2. Return Grille/Register
Specify model _____.
AW Appliance White baked enamel finish is standard.

The **Nailor Series 4100** are UL/ULC classified fire rated ceiling diffuser assemblies listed in Underwriters Laboratories Fire Resistance Directory and Underwriters' Laboratories of Canada List of Equipment and Materials. This design meets UL time-vs-temperature test criteria and NFPA 90A requirements.

All diffusers are classified for use in UL/ULC restrained or unrestrained floor/ceiling and or roof/ceiling assemblies which incorporate an exposed grid suspended ceiling (lay-in T-bar) with up to a 3 hour rating. For details of fire rated assemblies, see the current UL Fire Resistance Directory or ULC List of Equipment and Materials Vol. III Fire Resistant Ratings.

As the fire protection and integrity are supplied solely by the damper assembly, any type of return air grille, filter grille or register of steel or aluminum construction may be selected and installed in the fire rated ceiling. For use with exposed grid T-bar ceilings only.

For installation instructions see dwg. 4100-4.

Available Sizes and Dimensional Data

Model No.	Ceiling Module		Opening Height A
	Imperial (inches)	Metric (mm)	
4127	12 x 12	300 x 300	10" (254)
4128	24 x 12	600 x 300	10" (254)
4129	24 x 24	600 x 600	16" (406)

SCHEDULE TYPE:

PROJECT:

ENGINEER:

CONTRACTOR:

Dimensions are in inches (mm).

DATE

B SERIES

SUPERSEDES

DRAWING NO.

10 - 9 - 01

4100

22 - 7 - 99R

4100-3A