



**FIRE RATED DUCTLESS RETURN AIR
CEILING DAMPER FOR OPTIONAL GRILLE
RAISED TYPE WITH ADJ. VOLUME CONTROL
MODELS: 4127 AV, 4128 AV AND 4129 AV**

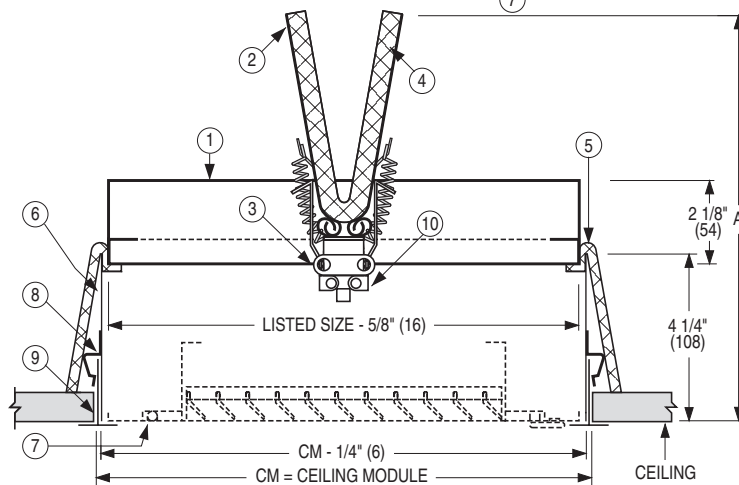
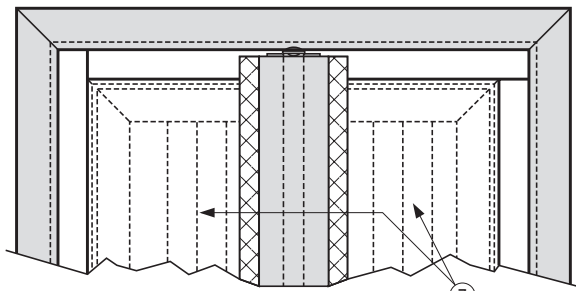
**Models • With
AV Option:**

4127 AV, 4128 AV, 4129 AV

**Some Commonly Selected Nailor
Grille Options:**

- **61EC Type L**
Steel Frame Return Air Eggcrate Grille.
- **6145H**
Steel Return Air Grille. Fixed 45°
Deflection blades on 3/4" (19) centers.
- **5145H**
Aluminum Return Air Grille. Fixed 45°
Deflection blades on 3/4" (19) centers.
- **7145H**
Aluminum Premium Airfoil Blade
Return Air Grille.
- **61FPL**
Steel Perforated Face Filter Grille.

Note: Maximum grille depth capacity
for this model is 2 1/4" (57) with AV
option.



CATEGORY
BZZU & CABS



CATEGORY
40U18.2W

DESCRIPTION:

1. Damper frame: galvanized steel, standard.
2. Damper blades: galvanized steel, standard.
3. U.L. Listed fusible link: 212°F (100°C) standard.
4. Blade insulation: ceramic fiber.
5. Shroud: ceramic fiber.
6. Extension frame: galvanized steel, standard.
7. Steel or aluminum return grille as required.
8. Ceiling grid clip: 4 attached. 2 each on opposite sides.
9. Supplementary (or existing) ceiling grid member.
10. AV Adjustable fusible link assembly permits the damper to be used as a balancing damper for volume control. The blades are adjusted with a 3/16" (5) hex key (by others) and perform like a butterfly damper.

OPTIONS:

1. Non-standard temperature U.L. Listed fusible link.
 - 165°F (74°C)
 - 286°F (141°C)
2. Return Grille
Specify model _____.
AW Appliance White baked enamel finish is standard.

The **Nailor Series 4100** are UL/ULC classified fire rated ceiling diffuser assemblies listed in Underwriters Laboratories Fire Resistance Directory and Underwriters' Laboratories of Canada List of Equipment and Materials. This design meets UL time-vs-temperature test criteria and NFPA 90A requirements.

All diffusers are classified for use in UL/ULC restrained or unrestrained floor/ceiling and or roof/ceiling assemblies which incorporate an exposed grid suspended ceiling (lay-in T-bar) with up to a 3 hour rating. For details of fire rated assemblies, see the current UL Fire Resistance Directory or ULC List of Equipment and Materials Vol. III Fire Resistant Ratings.

As the fire protection and integrity are supplied solely by the damper assembly, any type of return air grille or filter grille of steel or aluminum construction may be selected and installed in the fire rated ceiling. For use with exposed grid T-bar ceilings only.

For installation instructions see dwg. 4100-4.

Available Sizes and Dimensional Data

Model No.	Ceiling Module		Opening Height A
	Imperial (inches)	Metric (mm)	
4127 AV	12 x 12	300 x 300	10" (254)
4128 AV	24 x 12	600 x 300	10" (254)
4129 AV	24 x 24	600 x 600	16" (406)

SCHEDULE TYPE:

PROJECT:

ENGINEER:

CONTRACTOR:

Dimensions are in inches (mm).

DATE

B SERIES

SUPERSEDES

DRAWING NO.

10 - 8 - 01

4100

7 - 97

4100-3B