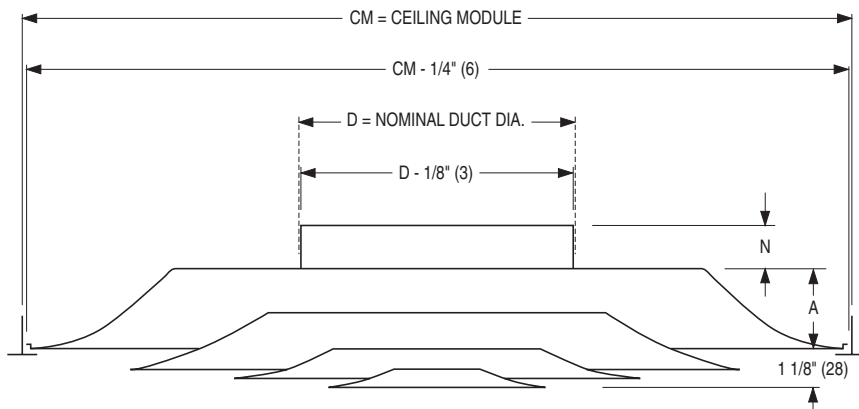




SQUARE CEILING DIFFUSERS

FIXED PATTERN • LOUVERED FACE
ALUMINUM • ROUND NECK • 4 CONE
MODEL: ARNS

TYPE L Lay-in T-Bar



Dimensional Data

Ceiling Module CM		Imperial Units (inches)					Metric Units (mm)				
Imperial Modules	Metric Modules	Duct Size D	N	A	B	F	Duct Size D	N	A	B	F
12 x 12	300	4 *	3 1/4	1	11	13	102 *	83	25	279	330
	x 300	5, 6, 7, 8	1 1/4				127, 152, 178, 203				
24 x 24	600	6, 8, 10, 12, 14, 15	1 1/4	2 5/16	22	N/A	152, 203, 254, 305, 356, 381	32	59	559	N/A
	x 600										

* Supplied with a reducer.

DESCRIPTION:

1. Material: Aluminum construction with corrosion-resistant steel neck bracketry.
2. The diffuser delivers the air in a true 360° radial horizontal pattern. Designed to minimize smudging and streaking of ceiling.
3. Excellent for VAV systems. The uniform near horizontal jets from the louvered cones maintain effective air motion over a considerable range of air volumes.
4. The models consist of four die-formed concentric cones in all sizes which eliminate mitered corners and provide uniform appearance in all neck sizes.
5. A spring clip arrangement permits quick, easy installation and removal of the inner cone assembly.
6. Diffuser has a removable plug for screwdriver adjustment of the optional damper without removing the inner core.
7. Standard finish is AW Appliance white baked enamel.

OPTIONS:

- EX External Foil-Back Insulation, installed - R-4.2
- EXB External Foil-Back Insulation, ships loose - R-4.2
- MIB Molded Insulation Blanket - R-6.0 (24 x 24 only)
- EQT Earthquake Tabs

Finish:

- SP Special. Specify _____.

QB Quadrant Blanks:

- QB3 3-Way Blow
- QC2 2-Way Corner Blow
- QB2 2-Way Opposite Blow
- QB1 1-Way Blow

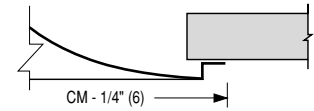
Dimensions are in inches (mm).

TYPE L Surface Mount

Hard duct connection recommended.

CM = CEILING MODULE

CEILING OPENING = B



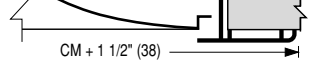
TYPE L Surface Mount With DFA

Drywall/Plaster frame. Recommended for flexible duct connection and ceiling access

CEILING OPENING = CM + 1/4" (6)

CM = CEILING MODULE

CEILING OPENING = CM + 1/4" (6)

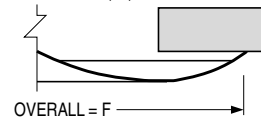


TYPE S Surface Mount

(12 x 12 (305 x 305) module only)

CM = CEILING MODULE

CEILING OPENING = CM - 1" (25)



SCHEDULE TYPE:	
PROJECT:	
ENGINEER:	
CONTRACTOR:	

Dimensions are in inches (mm).

DATE	B SERIES	SUPERSEDES	DRAWING NO.
10 - 31 - 07	RNS	10 - 5 - 02	4200-3A