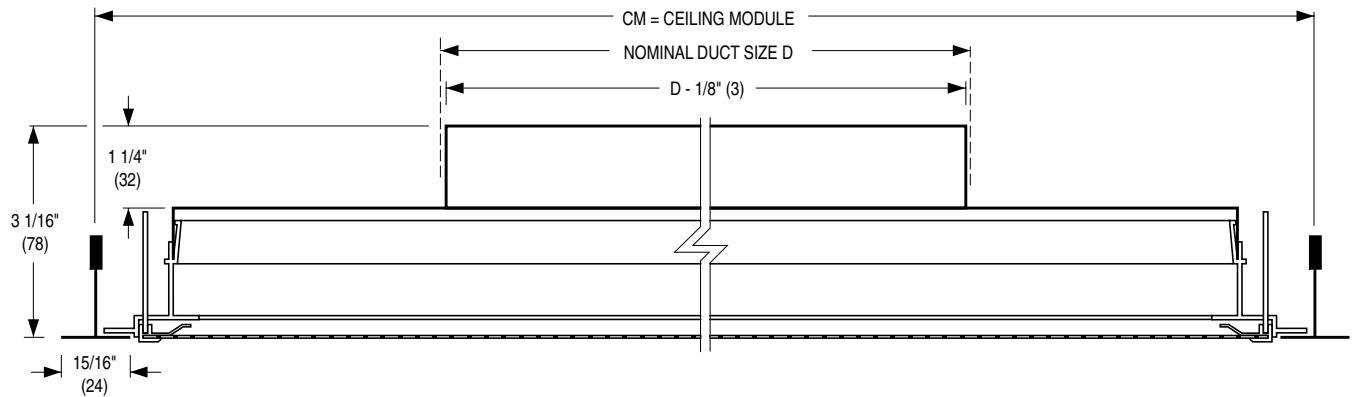




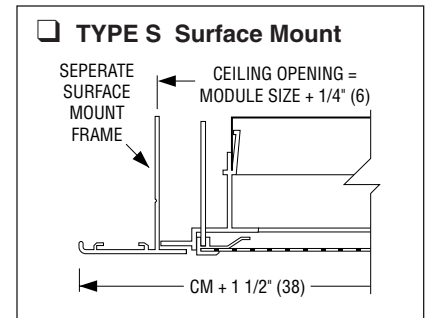
PERFORATED CEILING DIFFUSER
 RETURN • PREMIUM ARCHITECTURAL QUALITY
 ROUND OR SQUARE NECK
MODELS: 4330R, 4330RA

TYPE L Lay-in T-Bar



Available Combinations of Ceiling Module vs. Neck Size

Ceiling Module CM		Nominal Duct Size D			
Imperial Modules	Metric Modules	Round Neck		Square Neck	
		Imperial Units (in.)	Metric Units (mm)	Imperial Units (in.)	Metric Units (mm)
12 x 12	300 x 300	5, 6, 7, 8	127, 152, 178, 203	6 x 6, 8 x 8	152 x 152, 203 x 203
24 x 12	600 x 300	5, 6, 7, 8	127, 152, 178, 203	6 x 6, 8 x 8, 18 x 6	152 x 152, 203 x 203, 457 x 152
16 x 16	400 x 400	5, 6, 7, 8, 10	127, 152, 178, 203, 254	6 x 6, 8 x 8, 10 x 10, 12 x 12	152 x 152, 203 x 203, 254 x 254, 305 x 305
20 x 20	500 x 500	5, 6, 7, 8, 10, 12, 14	127, 152, 178, 203, 254, 305, 356	6 x 6, 8 x 8, 10 x 10, 12 x 12, 14 x 14, 15 x 15, 16 x 16	152 x 152, 203 x 203, 254 x 254, 305 x 305, 356 x 356, 381 x 381, 406 x 406
24 x 24	600 x 600	6, 8, 10, 12, 14, 15, 16	152, 203, 254, 305, 356, 381, 406	6 x 6, 8 x 8, 10 x 10, 12 x 12, 14 x 14, 16 x 16, 18 x 18, 20 x 20	152 x 152, 203 x 203, 254 x 254, 305 x 305, 356 x 356, 406 x 406, 457 x 457, 508 x 508



DESCRIPTION:

1. Material: Extruded aluminum border frame. Corrosion-resistant steel perforated face and back pan.
2. Designed to match supply air Model 4330 in appearance, except that the air pattern controllers are omitted. The diffuser features a mitered corner aluminum frame that encapsulates the perforated face providing a narrow, visible border within the T-bar module. This version is for ducted return applications; for connection to flexible or rigid round or square duct.
3. Removable face has quick release spring latches for easy access to optional damper.
4. Perforated face has 3/16" (5) diameter holes on 1/4" (6) staggered centers.
5. Standard finish is AW Appliance White.

OPTIONS:

- Aluminum perforated face/steel backpan. (Model 4330RA).
- Finish:**
- BA Black back pan with Appliance White face.
- SP Special _____.

SCHEDULE TYPE:

PROJECT:

ENGINEER:

CONTRACTOR:

Dimensions are in inches (mm).

DATE

B SERIES

SUPERSEDES

DRAWING NO.

8 - 24 - 02

4300

1 - 6 - 99R

4330R-2