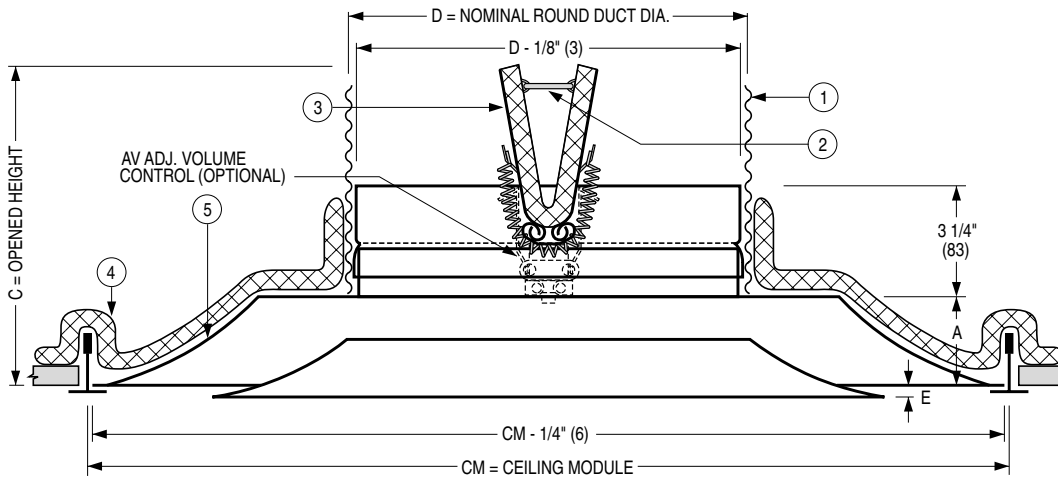




FIRE RATED CEILING DIFFUSER
STAMPED SQUARE •
STEEL • ROUND NECK • 2 CONE
MODELS: 4410 AND 4420



CATEGORY
BZZU



CATEGORY
40U18.1-1/2A



Listed Neck Size	Imperial Modules								Metric Modules			
	Imperial Units (inches)				SI Units (mm)				SI Units (mm)			
	CM = 12 x 12				CM = 305 x 305				CM = 300 x 300			
6	6	1	5 1/2	1-1/4	152	25	140	32	152	25	140	32
8	8		6 1/2		203		165		203		165	
Listed Neck Size	Imperial Units (inches)								SI Units (mm)			
	CM = 24 x 24				CM = 610 x 610				CM = 600 x 600			
	D	A	C	E	D	A	C	E	D	A	C	E
6	6		6 13/16		152		173		152		173	
8	8		7 13/16		203		198		203		198	
10	10	2 5/16	8 13/16	7/8	254	59	224	22	254	59	224	22
12	12		9 13/16		305		249		305		249	
14	14		10 13/16		356		275		356		275	

MODEL 4410
 12 x 12 (300 x 300) module
 Type L Lay-in Frame

MODEL 4420
 24 x 24 (600 x 600) module
 Type L Lay-in Frame

ITEMS:

1. Flexible air duct (UL/ULC Class 0 or 1) connector or steel duct.
2. U.L. Listed fusible link. 212°F (100°C) standard.
3. Ceiling radiation damper/fire stop flap.
4. Ceramic fibre thermal blanket.
5. Corrosion resistant steel diffuser.

4. The diffuser consists of two die-formed concentric cones which eliminate mitered corners and provide uniform appearance in all neck sizes.
5. Standard finish is AW Appliance white.

DESCRIPTION:

1. All models are classified for use in UL/ULC restrained or unrestrained floor/ceiling and or roof/ceiling assemblies which incorporate an exposed grid suspended ceiling (lay-in T-bar) with up to a 3 hour rating. For details of fire rated assemblies, see the current UL Fire Resistance Directory or ULC List of Equipment and Materials Vol. III Fire Resistant Ratings.
2. The inner core assembly is fixed and has a removable button for access to the ceiling radiation damper when the option AV is specified.
3. The diffuser delivers air in a true 360° streamline pattern. Excellent for VAV systems.

OPTIONS:

1. AV Fusible link adjustable volume control (Model 0722A damper)
2. Non-standard temperature U.L. Listed fusible link.
 165°F (74°C) 286°F (141°C)
3. Finish:
 SP Special _____ .

For installation instructions, see drwgs. 4000-1A and 1B or 4000-2A and 2B.

SCHEDULE TYPE:

PROJECT:

ENGINEER:

CONTRACTOR:

Dimensions are in inches (mm).

DATE	B SERIES	SUPERSEDES	DRAWING NO.
5 - 5 - 99RR	4400	4 - 28 - 97	4400-1