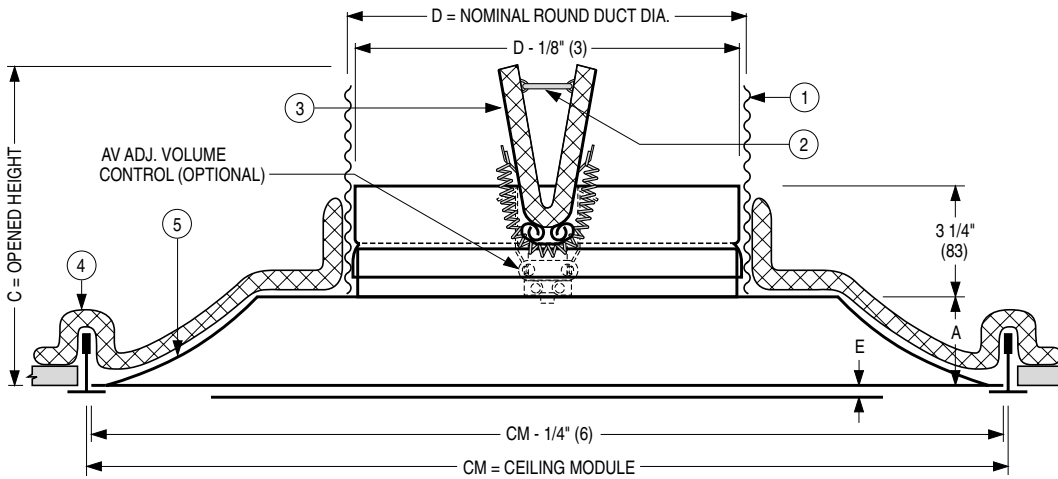




FIRE RATED CEILING DIFFUSER
ARCHITECTURAL • UNI
STEEL • SQUARE FACE • ROUND NECK
MODELS: 4410-UNI AND 4420-UNI



CATEGORY
BZZU



CATEGORY
40U18.1-1/2A



Listed Neck Size	Imperial Modules								Metric Modules			
	Imperial Units (inches)				SI Units (mm)				SI Units (mm)			
	CM = 12 x 12				CM = 305 x 305				CM = 300 x 300			
6	D	A	C	E	D	A	C	E	D	A	C	E
8	6	1	5 1/2	5/8	152	25	140	16	152	25	140	16
	8		6 1/2		203		165		203		165	
Listed Neck Size	Imperial Modules								Metric Modules			
	Imperial Units (inches)				SI Units (mm)				SI Units (mm)			
	CM = 24 x 24				CM = 610 x 610				CM = 600 x 600			
6	D	A	C	E	D	A	C	E	D	A	C	E
8	6		6 13/16		152		173		152		173	
10	8		7 13/16		203		198		203		198	
12	10	2 5/16	8 13/16	3/8	254	59	224	10	254	59	224	10
14	12		9 13/16		305		249		305		249	
	14		10 13/16		356		275		356		275	

MODEL 4410-UNI
 12 x 12 (300 x 300) module
 Type L Lay-in Frame

MODEL 4420-UNI
 24 x 24 (600 x 600) module
 Type L Lay-in Frame

ITEMS:

1. Flexible air duct (UL/ULC Class 0 or 1) connector or steel duct.
2. U.L. Listed fusible link. 212°F (100°C) standard.
3. Ceiling radiation damper/fire stop flap.
4. Ceramic fibre thermal blanket.
5. Corrosion resistant steel diffuser.

DESCRIPTION:

1. All models are classified for use in UL/ULC restrained or unrestrained floor/ceiling and or roof/ceiling assemblies which incorporate an exposed grid suspended ceiling (lay-in T-bar) with up to a 3 hour rating. For details of fire rated assemblies, see the current UL Fire Resistance Directory or ULC List of Equipment and Materials Vol. III Fire Resistant Ratings.
2. A spring clip arrangement permits quick, easy installation and removal of the inner cone assembly.
3. The diffuser delivered air in a true 360° streamline pattern. Excellent for VAV systems.
4. The diffuser consists of stamped one-piece outer-cone which eliminates

- mitered corners and a double-skinned inner face panel with a hemmed edge for strength and a clean appearance.
5. Fixed ceiling radiation damper is standard. The adjustable model with volume control for balancing is optional.
 6. Standard finish is AW Appliance white.

OPTIONS:

1. AV Fusible link adjustable volume control (Model 0722A damper)
2. Non-standard temperature U.L. Listed fusible link.
 165°F (74°C) 286°F (141°C)
3. Finish:
 SP Special _____.

For installation instructions, see drwgs. 4000-1A and 1B or 4000-2A and 2B.

Dimensions are in inches (mm).

SCHEDULE TYPE:				
PROJECT:				
ENGINEER:		DATE	B SERIES	SUPERSEDES
CONTRACTOR:		5 - 5 - 99RR	4400	4 - 28 - 97
				DRAWING NO.
				4400-3