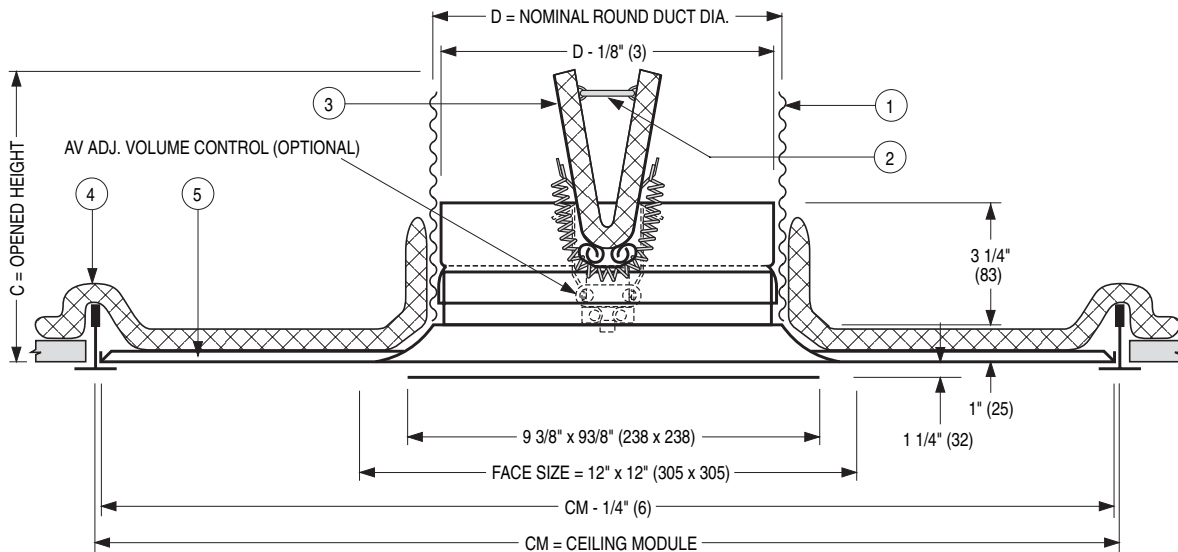




FIRE RATED CEILING DIFFUSER
ARCHITECTURAL • UNI • PANEL TYPE
STEEL • SQUARE FACE • ROUND NECK
MODELS: 4430-UNI AND 4440-UNI



CATEGORY BZZU



CATEGORY 40U18.1-1/2A



	Imperial Modules		SI Units (mm)		Metric Modules	
	Imperial Units (inches)	SI Units (mm)	SI Units (mm)	SI Units (mm)	SI Units (mm)	SI Units (mm)
Listed Neck Size	CM = 24 x 12		CM = 610 x 305		CM = 600 x 300	
	D	C	D	C	D	C
6	6	5 1/2	152	140	152	140
8	8	6 1/2	203	165	203	165
Listed Neck Size	CM = 24 x 24		CM = 610 x 610		CM = 600 x 600	
	D	C	D	C	D	C
6	6	5 1/2	152	140	152	140
8	8	6 1/2	203	165	203	165

MODEL 4430-UNI
 24 x 12 (600 x 300) module
 Type PL Panel Lay-in Frame

MODEL 4440-UNI
 24 x 24 (600 x 600) module
 Type PL Panel Lay-in Frame

ITEMS:

1. Flexible air duct (UL/ULC Class 0 or 1) connector or steel duct.
2. U.L. Listed fusible link. 212°F (100°C) standard.
3. Ceiling radiation damper/fire stop flap.
4. Ceramic fibre thermal blanket.
5. Corrosion resistant steel panel diffuser.

DESCRIPTION:

1. All models are classified for use in UL/ULC restrained or unrestrained floor/ceiling and or roof/ceiling assemblies which incorporate an exposed grid suspended ceiling (lay-in T-bar) with up to a 3 hour rating. For details of fire rated assemblies, see the current UL Fire Resistance Directory or ULC List of Equipment and Materials Vol. III Fire Resistant Ratings.
2. A spring clip arrangement permits quick, easy installation and removal of the inner cone assembly.
3. The diffuser delivered air in a true 360° streamline pattern. Excellent for VAV systems.
4. The diffuser consists of a stamped one-piece outer cone extended panel which eliminates mitered corners and a double skinned inner face panel

with a hemmed edge for strength and a clean appearance.

5. Fixed ceiling radiation damper is standard. The adjustable model with adjustable volume control for balancing is optional.
6. Standard finish is AW Appliance white.

OPTIONS:

1. AV Fusible link adjustable volume control (Model 0722A damper)
2. Non-standard temperature U.L. Listed fusible link.
 165°F (74°C) 286°F (141°C)
3. Finish:
 SP Special _____ .

For installation instructions, see drwgs. 4000-1A and 1B or 4000-2A and 2B.

Dimensions are in inches (mm).

SCHEDULE TYPE:				
PROJECT:				
ENGINEER:	DATE	B SERIES	SUPERSEDES	DRAWING NO.
CONTRACTOR:	11 - 7 - 07	4400	5 - 5 - 99RR	4400-4