



LINEAR SLOT DIFFUSERS (METRIC UNITS – MILLIMETERS) EXTRUDED ALUMINUM MODEL SERIES: 5000

| Duct Width D Dimension | Frame Type | No. of Slots | 5050 | 5075 | 5010 | Frame Type | No. of Slots | 5050 | 5075 | 5010 | |
|------------------------------|------------|--------------|--------|--------|--------|------------|--------------|-------|--------|--------|--------|
| | | | 5050R | 5075R | 5010R | | | 5050R | 5075R | 5010R | |
| | | | S = 13 | S = 19 | S = 25 | | | | S = 13 | S = 19 | S = 25 |
| S = slot width | A | 1 | 41 | 48 | 54 | C | 1 | 51 | 57 | 64 | |
| | | 2 | 73 | 86 | 98 | | 2 | 83 | 95 | 108 | |
| | | 3 | 105 | 124 | 143 | | 3 | 114 | 133 | 152 | |
| | | 4 | 137 | 162 | 187 | | 4 | 146 | 171 | 197 | |
| | | 5 | 168 | 200 | 232 | | 5 | 178 | 210 | 241 | |
| | 6 | 200 | 238 | 276 | 6 | 210 | 248 | 286 | | | |
| | 7 | 232 | 276 | 321 | 7 | 241 | 286 | 330 | | | |
| | 8 | 264 | 314 | 365 | 8 | 273 | 324 | 375 | | | |
| | 9 | 295 | 352 | 410 | 9 | 305 | 362 | 419 | | | |
| | 10 | 327 | 391 | 454 | 10 | 337 | 400 | 464 | | | |

End Caps Configuration

SPECIFY

MM
 FF
 MO
 FO
 MC
 FC
 OO
 OC
 CC

M - Mitered End Cap (Std.)

O - Open End

C - Flat End Cap

F - Flanged End Cap

Overall Length Dimensions and End Cap Position

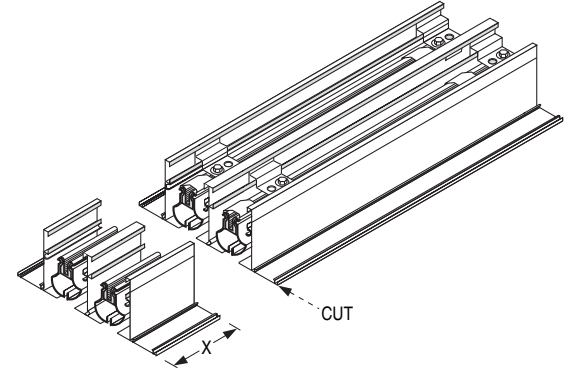
| Frame Type | M | | F | | M | | F | | O | | O | | C | | C | |
|------------|-------------|--------|--------|--------|--------|--------|--------|--------|--------|---|-------|-------|-------|-------|-------|-------|
| | E | L | E | L | E | L † | E | L † | E | L | E | L | E | L | E | L |
| | A, B | D - 13 | D + 25 | D - 13 | D + 38 | D - 6 | D + 13 | D - 5 | D + 14 | D | D | D - 2 | D - 2 | D - 3 | D - 3 | D - 3 |
| C | D - 13 | D + 25 | D - 13 | D + 38 | D - 6 | D + 13 | D - 5 | D + 14 | D | D | D - 2 | D - 2 | D - 3 | D - 3 | D - 3 | D - 3 |
| D | D - 13 | D + 13 | D - 13 | D + 25 | D - 6 | D + 6 | D - 5 | D + 11 | D | D | D - 2 | D - 2 | D - 3 | D - 3 | D - 3 | D - 3 |

† Configurations FO and FC: Add 6. D = Duct length E = End cap position L = Overall length

Field Trimming of Diffusers

If "X" is less than 3" (76) at either end (6" (152) total), standard **Model 5000** or **5000R** can be field-cut.

• Factory-Cut Diffusers **Model 5000** or **5000R** are ordered for a specific length from the factory, but can be trimmed as much as 6" (152) in length, (3" (76) from each end) with a fine tooth, high speed carbon steel metal cutting blade.



| | | | | | | | | |
|-----------------------|--------------------------------|--|--|--|--------------|-----------------|-------------------|--------------------|
| SCHEDULE TYPE: | Dimensions are in inches (mm). | | | | | | | |
| PROJECT: | | | | | | | | |
| ENGINEER: | | | | | DATE | B SERIES | SUPERSEDES | DRAWING NO. |
| CONTRACTOR: | | | | | 10 - 25 - 07 | 5000 | 19 - 4 - 00R | 5000-1C |