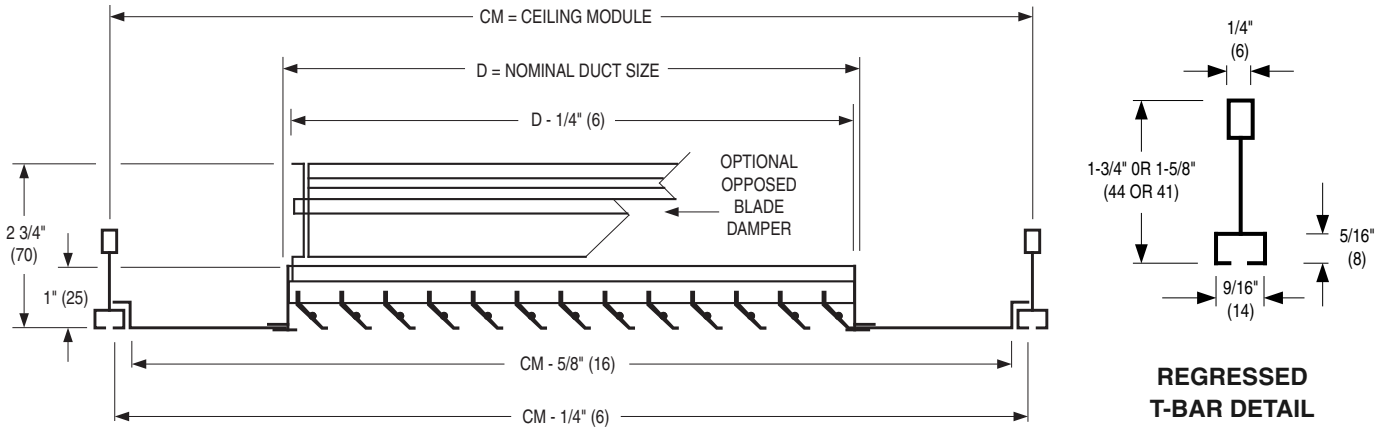




**ALUMINUM RETURN GRILLES & REGISTERS**  
**FIXED BLADES • 3/4" (19) SPACING**  
**PANEL MOUNTED • NARROW REGRESSED T-BAR**  
**MODELS: 5145H(-O) TYPE FPS OR FPA**

FOR FINELINE® TYPE CEILING SYSTEMS



AVAILABLE CEILING MODULES (CM)			AVAILABLE DUCT/NECK SIZES
Imperial Modules		Metric Modules	
Imperial Units (inches)	S.I. Units (mm)	S.I. Units (mm)	
20 x 20	508 x 508	500 x 500	6" x 6" (152 x 152) up to 16" x 16" (406 x 406) in 2" (51) increments
24 x 24	610 x 610	600 x 600	6" x 6" (152 x 152) up to 20" x 20" (508 x 508) in 2" (51) increments

- MODEL 5145H** Return Air Grille
  - Type FPS** Steel Panel
  - Type FPA** Aluminum Panel
- MODEL 5145H-O** Return Air Register (Includes O. B. Damper)
  - Type FPS** Steel Panel
  - Type FPA** Aluminum Panel

**DESCRIPTION:**

1. Material: Extruded aluminum grille mounted in an extended panel.
2. Extruded aluminum blades are fixed at 45 degree deflection on 3/4" (19) centers. They are reinforced with concealed mullions on 16" (406) maximum centers.
3. Models 5145H and 5145H-O Type FPS or FPA have been specially designed for return air applications and to integrate with and compliment regressed 'narrow-tee' type T-Bar suspended ceiling systems. The return grille or register is mechanically assembled and using a special frame captures the module sized panel, which eliminates welding and assures a clean smooth blemish free painted finish.
4. Optional roll-formed steel opposed blade damper has a screwdriver slot operator accessible through face of register.
5. Standard finish is AW Appliance White.

**OPTIONS:**

1. Finish:
  - SP Special \_\_\_\_\_ .
2.  OA Aluminum opposed blade damper (model suffix).

Fineline® is a registered trademark of USG Interiors Inc.

<b>SCHEDULE TYPE:</b>		Dimensions are in inches (mm).			
<b>PROJECT:</b>					
<b>ENGINEER:</b>	<b>DATE</b>	<b>B SERIES</b>	<b>SUPERSEDES</b>	<b>DRAWING NO.</b>	
<b>CONTRACTOR:</b>	2 - 1 - 11	5100	NEW	5100-6	