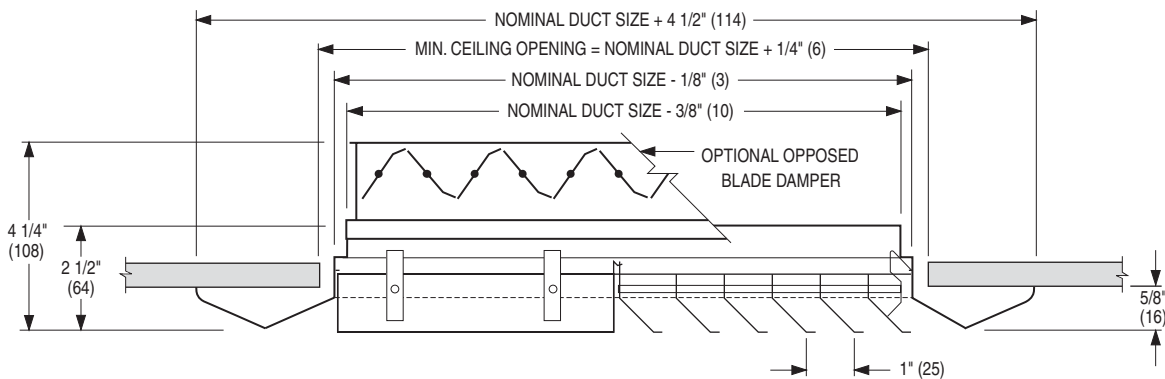




MODULAR CORE CEILING DIFFUSER
 1, 2, 3 OR 4-WAY ADJUSTABLE DISCHARGE
 PATTERN • SQUARE NECK
MODELS: 7500 AND 7500-O TYPE BS

TYPE BS
Beveled surface mount (low profile)



Available Duct Sizes			
6 x 6 (152 x 152)	10 x 10 (254 x 254)	15 x 15 (381 x 381)	20 x 20 (508 x 508)
8 x 8 (203 x 203)	12 x 12 (305 x 305)	16 x 16 (406 x 406)	22 x 22 (559 x 559)
9 x 9 (229 x 229)	14 x 14 (356 x 356)	18 x 18 (457 x 457)	24 x 24 (610 x 610)

DESCRIPTION:

1. Material: Extruded aluminum frame and bracketry. Heavy gauge corrosion-resistant steel controllers.
2. Model 7500 is a versatile ceiling diffuser. It consists of four spring-loaded adjustable modular cores that may be simply adjusted by rotating each module before or after installation to provide a 1, 2, 3 or 4-way blow pattern. A tight horizontal air pattern from maximum to minimum flow makes it ideal for VAV applications. The low profile beveled surface mount frame provides a visually attractive appearance and allows ceiling openings to be cut nominal duct size.
3. Standard finish is AW Appliance White.

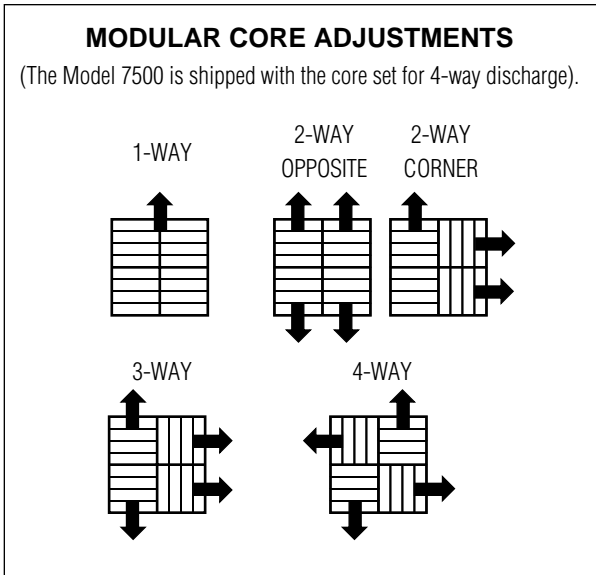
ACCESSORIES (OPTIONAL):

- Opposed blade damper (factory mounted) - Model 7500-O
- SQR Square to round transition collar
- SQR-O Square to round transition collar for use over opposed blade damper.

_____ round neck size (inches)

OPTIONAL FINISH:

- SP Special. Specify _____.



SCHEDULE TYPE:	
PROJECT:	
ENGINEER:	
CONTRACTOR:	

Dimensions are in inches (mm).

DATE	B SERIES	SUPERSEDES	DRAWING NO.
4 - 21 - 03	7500	3 - 24 - 03	7500-1A