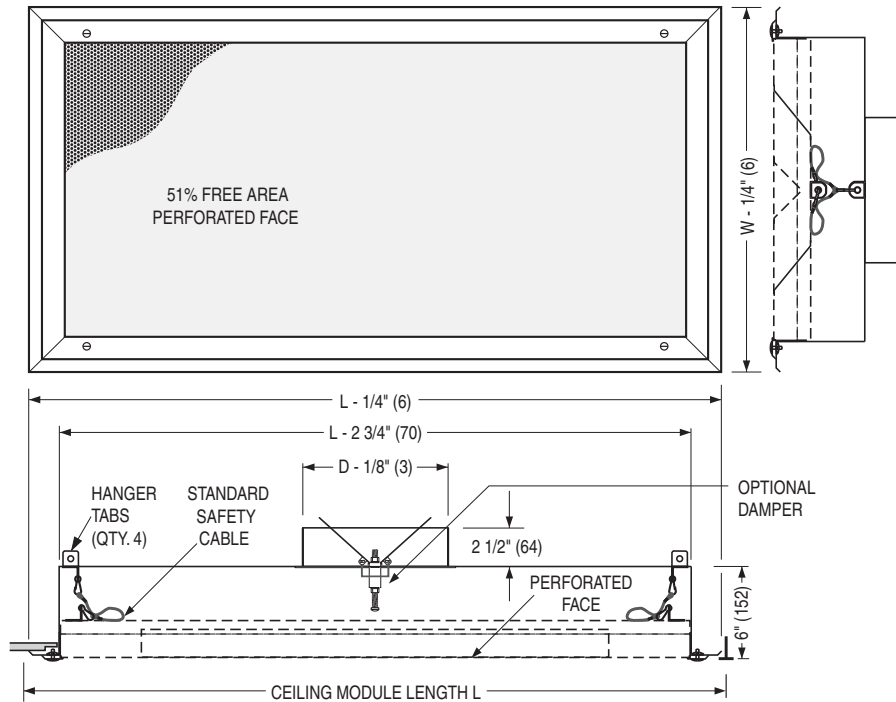
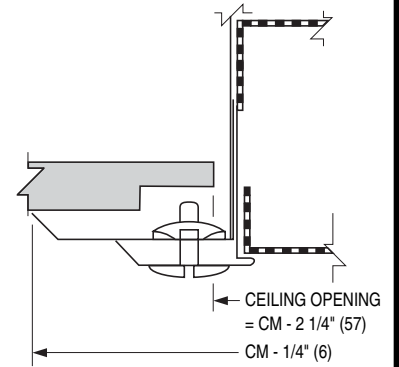




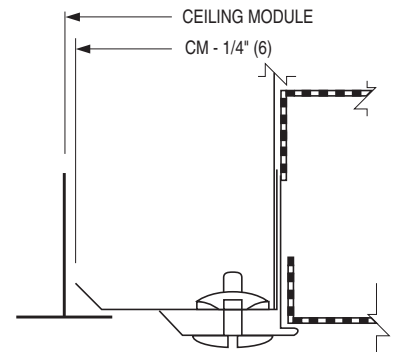
RADIAL PATTERN DIFFUSER – FLUSH FACE
STAINLESS STEEL • REMOVABLE PERFORATED FACE
180 DEGREE PATTERN
MODEL: 92FRP-2SS



TYPE S Surface Mount Detail



TYPE L* Lay-in T-Bar Detail



*Compatible with T-Bars up to 1 1/4" (32) wide.

Ceiling Module Sizes L x W & Nominal Round Duct Sizes D

L x W	Imperial Modules (inches)		24 x 24	36 x 24	48 x 24	60 x 24
	Metric Modules (mm)		600 x 600	900 x 600	1200 x 600	1500 x 600
Duct Size D	(inches)	6, 7, 8, 10	6, 7, 8, 10	7, 8, 10, 12	10, 12	
	(mm)	152, 178, 203, 254	152, 178, 203, 254	178, 203, 254, 305	254, 305	

DESCRIPTION:

The Model 92FRP-2SS Flush Face Radial Pattern Diffuser has been designed to provide low aspiration at high ventilation rates, especially for clean room applications such as research laboratories, animal labs, food processing, hospital rooms and computer rooms. The unique baffle design incorporates an internal pressure plate providing large volumes of air at low initial face velocities. The 92FRP-2SS model introduces air in a semi-cylindrical 180 degree radial flow pattern, flushing a room with large volumes of clean conditioned air, minimizing entrainment and hence mixing with contaminated air, whilst still allowing low room air velocities.

CONSTRUCTION:

- 304 stainless steel frame and perforated face with 3/16" (5) dia. holes on 60 degree 1/4" (6) staggered centers (51% free area). The face plate is removable for cleaning and is secured by 1/4 turn fasteners.
- 304 stainless steel fully welded plenum, perforated pressure plate and baffles.
- Standard safety cables prevent accidental dropping of removable face.
- Standard finish is #4 Satin Polished finish.

OPTIONS:

Finish:

- AW Appliance White.
- 316 316 Stainless Steel construction.
- BDS Butterfly damper, Stainless Steel (face operated).
- SP Special _____ .

SCHEDULE TYPE:

PROJECT:

ENGINEER:

CONTRACTOR:

Dimensions are in inches (mm).

DATE	B SERIES	SUPERSEDES	DRAWING NO.
12 - 12 - 11	9200	3 - 30 - 11	92FRP-2SS