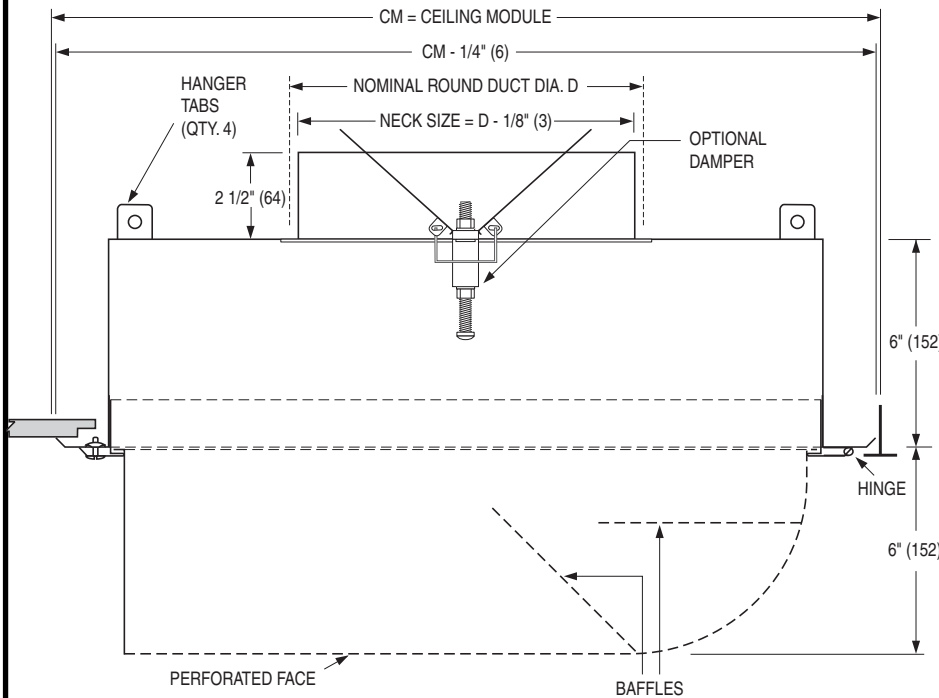
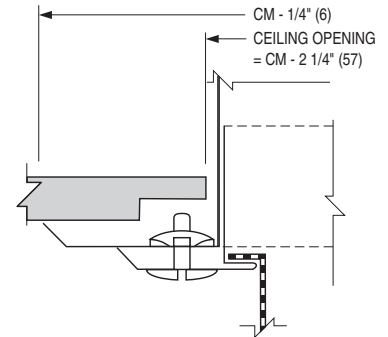




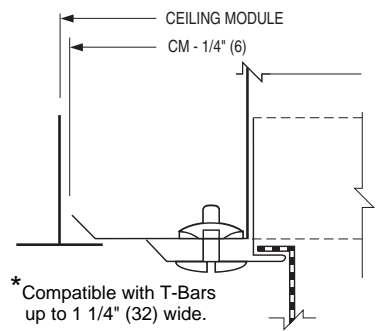
# RADIAL PATTERN DIFFUSER 90 DEGREE • STAINLESS STEEL MODEL: 92RPD-1SS



### TYPE S Surface Mount Detail

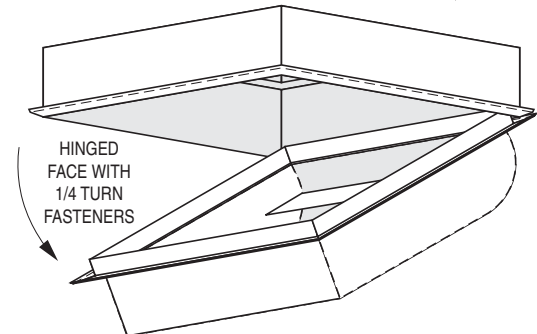


### TYPE L\* Lay-in T-Bar Detail



### Ceiling Module Sizes

Imperial Modules				Metric Modules	
Imperial Units (inches)		S.I. Units (mm)		S.I. Units (mm)	
D	CM	D	CM	D	CM
8	12 x 48	203	305 x 1219	203	300 x 1200
8, 10	24 x 24	203, 254	610 x 610	203, 254	600 x 600
10, 12	24 x 48	254, 305	610 x 1219	254, 305	600 x 1200



### DESCRIPTION:

The Model 92RPD-1SS Radial Pattern Diffuser has been designed to provide low aspiration and high ventilation rates especially for clean room applications such as research laboratories, animal labs, food processing, hospital rooms and computer rooms.

The unique design of solid baffles in an intrusive perforated face can handle large volumes of air with low initial face velocities.

The 92RPD-1SS introduces air in a 90 degree radial flow pattern, flushing a room with large volumes of clean conditioned air, minimizing entrainment and hence mixing with contaminated air whilst still allowing low room air velocities.

### CONSTRUCTION:

- 304 stainless steel perforated face with 3/32" (2.4) dia. holes on 60 degree 1/4" (6) staggered centers (13% free area). The face of the diffuser is attached to the plenum with two stainless steel hinges. The opposite side is secured with 1/4 turn fasteners. The diffuser face simply hinges down for easy access to the interior for cleaning.
- 304 stainless steel fully welded plenum and baffles.
- Standard finish is #4 satin polish.

### OPTIONS:

- Finish:
- AW Appliance White.
  - 316 316 Stainless Steel construction.
  - BDS Butterfly damper, Stainless Steel (face operated).
  - SP Special \_\_\_\_\_.

SCHEDULE TYPE:

PROJECT:

ENGINEER:

CONTRACTOR:

Dimensions are in inches (mm).

DATE

B SERIES

SUPERSEDES

DRAWING NO.

12 - 12 - 11

9200-SS

3 - 30 - 11

92RPD-1SS