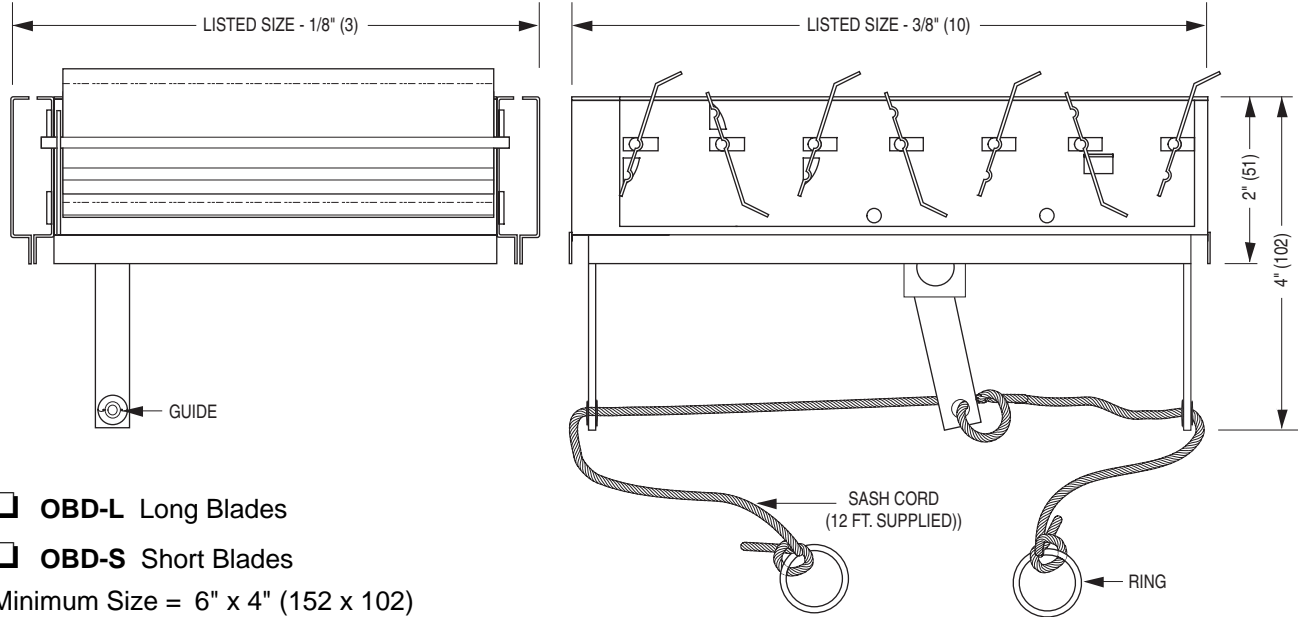




AIR BALANCING DEVICES
OPPOSED BLADE DAMPER • STEEL • DUCT
MOUNTED FOR SQUARE AND RECTANGULAR NECKS
MODEL: OBDD TYPE CD

TYPE CD Cord Operator



OBD-L Long Blades

OBD-S Short Blades

Minimum Size = 6" x 4" (152 x 102)
 Maximum Size = 24" x 24" (610 x 610)

DESCRIPTION:

1. Material: Roll-formed, corrosion-resistant steel. Mill finish.
2. Designed to be installed independently of the air outlet in the duct behind the grille or diffuser. Double skin frame on two sides provides a friction fit. If sheet metal screws are used to secure the damper in place, care should be taken to avoid fouling the damper mechanism or distorting the frame. Supplied as standard with cord operator.
3. Gang operated blades on 1" (25) centers move simultaneously in opposite directions and close at 45° to permit precise metering of the air with a minimal disturbance to the air pattern.

SPECIAL FEATURES:

SCHEDULE TYPE		Dimensions are in inches (mm).			
PROJECT					
ENGINEER	DATE	B SERIES	SUPERSEDES	DRAWING NO.	
CONTRACTOR	1 - 21 - 03	ACC.DIF/GR	NEW	ACC.ABD-3A	