



FLOWLINE™ LINEAR SLOT DIFFUSERS
LAY-IN UNITS FOR FLAT T-BAR
VERTICAL JET THROW PATTERN CONTROLLERS
MODEL SERIES: FTV

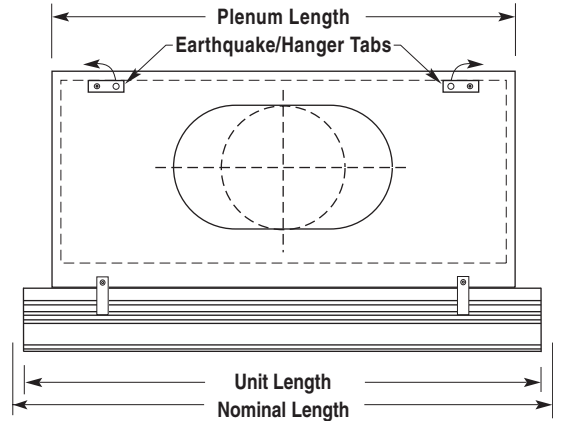
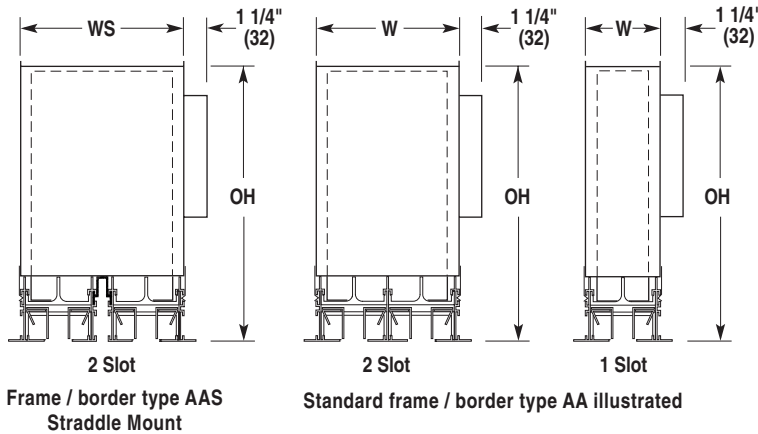
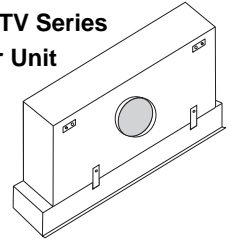
Uninsulated Models:

- FTV10 • 1" (25) Slot
- FTV15 • 1½" (38) Slot
- FTV20 • 2" (51) Slot
- FTV25 • 2½" (64) Slot
- FTV30 • 3" (76) Slot

Internally Insulated Models:

- FTVI10 • 1" (25) Slot
- FTVI15 • 1½" (38) Slot
- FTVI20 • 2" (51) Slot
- FTVI25 • 2½" (64) Slot
- FTVI30 • 3" (76) Slot

Flowline™ FTV Series
Lay-in T-Bar Unit

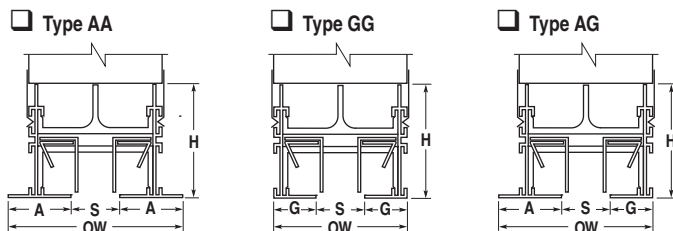


Dimensional Data (Imperial Grids)

Nominal Length	Unit Length	Plenum Length	Available Inlet Sizes	
			1 Slot	2 Slot
24 (610)	23 ¾ (603)	20 ¾ (527)	6(152), 8(203) Round	6(152), 8 (203),
48 (1219)	47 ¾ (1213)	44 ¾ (1137)	10 (254), 12 (305),	10 (254), 12 (305),
60 (1524)	59 ¾ (1518)	56 ¾ (1441)	14 (356) Flat Oval*	14 (356) Round

FTV Series Model	1 Slot		2 Slot		
	W	OH	W	WS	OH
FTV(I)10	2 ¾ (70)	12 ¾ (314)	5 ¼ (133)	5 13/16 (148)	18 ¾ (467)
FTV(I)15	3 ¾ (95)	12 5/8 (321)	7 ¼ (184)	7 13/16 (198)	18 5/8 (473)
FTV(I)20	4 ¾ (121)	12 7/8 (327)	9 ¼ (235)	9 13/16 (249)	18 7/8 (479)
FTV(I)25	5 ¾ (146)	13 1/8 (333)	11 ¼ (286)	11 13/16 (300)	19 1/8 (486)
FTV(I)30	6 ¾ (171)	13 3/8 (340)	13 ¼ (337)	13 13/16 (351)	19 3/8 (479)

FTV Series Border Types. One Slot Units.



* Equivalent Oval: 10" (254) = 11" x 7 7/8" (279 x 200);
 12" (305) = 14 1/8" x 7 7/8" (378 x 200);
 14" (356) = 17 5/16" x 7 7/8" (440 x 200).

Dimensional Data - Imperial (Metric) Units

FTV Series Model	S Slot Width	A Border Width	G Border Width	H Height	OW Overall Width for Frame / Border Type		
					AA	GG	AG
FTV(I)10	1 (25)	1 3/32 (33)	7/8 (22)	2 3/8 (60)	3 9/16 (90)	2 3/4 (170)	3 5/32 (80)
FTV(I)15	1 1/2 (38)	1 17/32 (39)	1 1/8 (29)	2 5/8 (67)	4 9/16 (116)	3 3/4 (95)	4 5/32 (106)
FTV(I)20	2 (51)	1 25/32 (45)	1 3/8 (35)	2 7/8 (73)	5 9/16 (141)	4 3/4 (121)	5 5/32 (131)
FTV(I)25	2 1/2 (64)	2 1/32 (52)	1 5/8 (41)	3 1/8 (79)	6 9/16 (167)	5 3/4 (146)	6 5/32 (156)
FTV(I)30	3 (76)	2 3/32 (58)	1 7/8 (48)	3 3/8 (86)	7 9/16 (192)	6 3/4 (171)	7 5/32 (182)

SCHEDULE TYPE
PROJECT
ENGINEER
CONTRACTOR

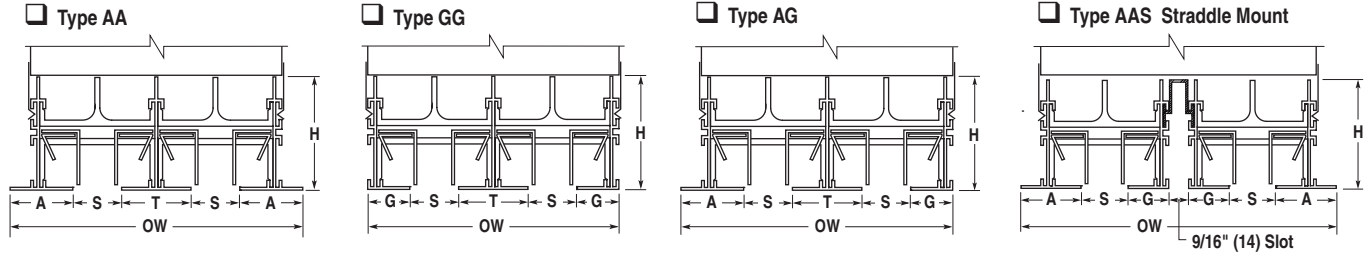
Page 1 of 2
 Dimensions are in inches (mm).

DATE	B SERIES	SUPERSEDES	DRAWING NO.
3 - 3 - 04	FL	7 - 22 - 03	FTV-1



FLOWLINE™ LINEAR SLOT DIFFUSERS
LAY-IN UNITS FOR FLAT T-BAR
VERTICAL JET THROW PATTERN CONTROLLERS
MODEL SERIES: FTV

FTV Series Border Types. Two Slot Units.

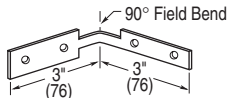


Dimensional Data - Imperial (Metric) Units

Model	S Slot Width	A Border Width	G Border Width	H Height	T 2 Slot	OW Overall Width for Frame / Border Type			
						AA	GG	AG	AAS
FTV(I)10	1 (25)	1 9/32 (33)	7/8 (33)	2 3/8 (60)	1 7/16 (37)	6 (152)	5 3/16 (132)	5 19/32 (142)	6 7/8 (175)
FTV(I)15	1 1/2 (38)	1 17/32 (39)	1 1/8 (29)	2 5/8 (67)	1 15/16 (49)	8 (203)	7 3/16 (183)	7 19/32 (193)	8 7/8 (225)
FTV(I)20	2 (51)	1 25/32 (45)	1 3/8 (35)	2 7/8 (73)	2 7/16 (62)	10 (254)	9 3/16 (233)	9 19/32 (244)	10 7/8 (276)
FTV(I)25	2 1/2 (64)	2 1/32 (52)	1 5/8 (41)	3 1/8 (74)	2 15/16 (75)	12 (305)	11 3/16 (284)	11 19/32 (294)	12 7/8 (327)
FTV(I)30	3 (76)	2 9/32 (58)	1 7/8 (48)	3 3/8 (86)	3 7/16 (87)	14 (356)	13 3/16 (335)	13 19/32 (345)	14 7/8 (378)

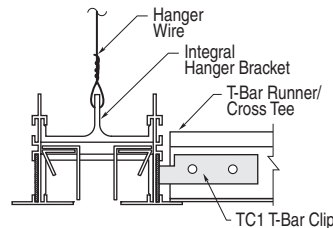
Optional Mounting Hardware

TC1 T-Bar Clip (Field Formed)

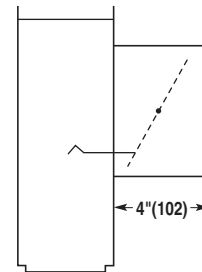


The TC1 T-Bar Clip is used to attach drop tees to the FlowLine™ assembly.

Type AA Frame / border illustrated



Optional ID Inlet Damper



Notes:

1. Material: Heavy duty extruded aluminum frame and spacers. Corrosion resistant steel pattern controllers and plenum.
2. The FTV Series are modular units complete with factory mounted engineered plenum for lay-in T-Bar application. Units are supplied with flat end caps.

3. Adjustable pattern controllers on 24" (610) centers.
4. Standard finish is AW Appliance White baked enamel on exposed frames with black pattern controllers and interior surfaces.

Options:

SP Special Finish _____.

SCHEDULE TYPE		Page 2 of 2			
PROJECT		Dimensions are in inches (mm).			
ENGINEER	DATE	B SERIES	SUPERSEDES	DRAWING NO.	
CONTRACTOR	3 - 3 - 04	FL	7 - 22 - 03	FTV-1	