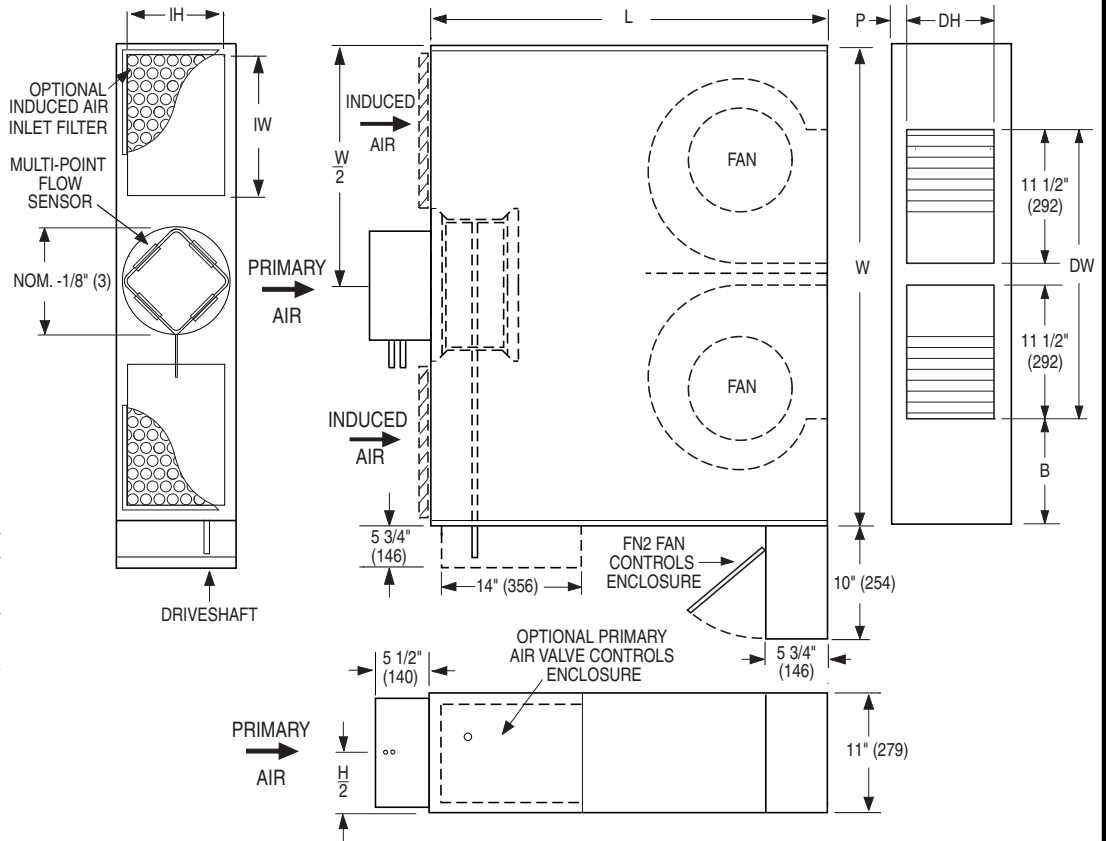




**LOW PROFILE FAN POWERED TERMINAL UNIT
WITH ECM MOTOR
SERIES FLOW • CONSTANT VOLUME
MODELS: 37S, 37SW AND 37SE • UNIT SIZE 4
WITH 90° LINE VOLTAGE ENCLOSURE (FN2 OPTION)**

DESCRIPTION:

- Only 11" (279) high.
- 20 ga. (1.0) galvanized steel construction.
- 16 ga. (1.6) galvanized steel inclined blade damper. 45° rotation. CW to close.
- Multi-point averaging Diamond Flow sensor.
- Access panels top and bottom.
- Ultra-high efficiency ECM fan motor. EPIC fan volume controller.
- 1/2" (13) dual density insulation, exposed edges coated to prevent air erosion. Meets requirements of NFPA 90A and UL 181.
- Single point electrical and/or pneumatic main air connection.
- Discharge opening for flanged duct connection.
- Full primary air valve low voltage enclosure for factory mounted DDC and analog electronic controls.
- FN2 line voltage enclosure incorporate a hinged access door opening upstream that helps ensure NEC clearance requirement and reduces footprint.
- Controls mounted as standard on RH side as shown. Terminals ordered with LH controls (optional) are inverted.



OTHER OPTIONS:

- Filter frame and 1" (25) disposable filter.
- Toggle disconnect switch.
- Steri-liner.
- Fiber-free liner.
- Solid metal liner.
- Perforated metal liner.
- Fan unit fusing.
- Hanger brackets.
- Left-hand controls location.
- Special features _____.

Dimensional Data. Imperial Units (inches)

| Unit Size | Inlet Size | W | L | B | P | Induced Air Inlet IW x IH | Outlet Discharge DW x DH | Filter Size |
|-----------|--------------------------|----|--------|-------|---|---------------------------|--------------------------|-------------|
| 4 | 10 Rnd. 14 x 10 Rect. | 44 | 36 1/2 | 9 1/2 | 2 | 12 x 9 (2) | 25 x 7 | 14 x 10 (2) |

Dimensional Data. Metric Units (mm)

| Unit Size | Inlet Size | W | L | B | P | Induced Air Inlet IW x IH | Outlet Discharge DW x DH | Filter Size |
|-----------|-----------------------------|------|-----|-----|----|---------------------------|--------------------------|---------------|
| 4 | 254 Rnd. 356 x 254 Rect. | 1118 | 927 | 241 | 51 | 305 x 229 (2) | 635 x 178 | 356 x 254 (2) |

Electrical Data

| Unit Size | Motor H.P. | ECM FLA | | | |
|-----------|------------|----------|----------|----------|----------|
| | | 120/1/60 | 208/1/60 | 240/1/60 | 277/1/60 |
| 4 | * | 10.7 | 6.9 | 6.4 | 5.5 |

* The ECM is a variable horsepower motor. Refer to Selectwoks Schedule. FLA = Full load amperage



For heat options; see page 2.
Dimensions are in inches (mm).

| | | | | | |
|----------------------|-------------|-----------------|-------------------|--------------------|--|
| SCHEDULE TYPE | | | | | |
| PROJECT | | | | | |
| ENGINEER | DATE | B SERIES | SUPERSEDES | DRAWING NO. | |
| CONTRACTOR | 4 - 20 - 10 | 3700 | 5 - 27 - 09 | 37S-8A | |



**LOW PROFILE FAN POWERED TERMINAL UNIT W/ ECM MOTOR
SERIES FLOW • CONSTANT VOLUME
HEAT ACCESSORIES
MODELS: 37SW AND 37SE • UNIT SIZE 4
WITH 90° LINE VOLTAGE ENCLOSURE (FN2 OPTION)**

Hot Water Coil Section Model 37SW

Standard Features:

- Coil section installed on unit discharge.
- Coil (and header on multi-circuit units) is installed in insulated casing for increased thermal efficiency.
- 1/2" (13) copper tubes.
- Aluminum ripple fins.
- Sweat connections: One row 1/2" (13) O.D. male solder. Two and three row 7/8" (22) O. D. male solder.
- Top and bottom access panels for inspection and coil cleaning.
- Flanged outlet duct connection.

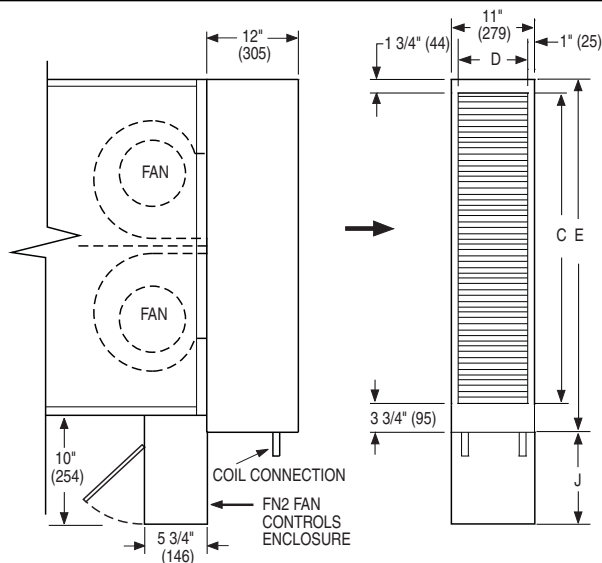
Coil Rows:

- 1-Row 2-Row 3-Row

Coil Hand Connections:

(Looking in direction of airflow).

- Right hand (illustrated). Standard.
 Left hand. Optional.



| Unit Size | Imperial Units (inches) | | | Metric Units (mm) | | |
|-----------|-------------------------|--------|-------|------------------------|------|-----|
| | Outlet Duct Size C x D | E | J | Outlet Duct Size C x D | E | J |
| 4 | 40 3/4 x 9 | 46 1/4 | 7 3/4 | 1035 x 229 | 1175 | 197 |

Electric Coil Section Model 37SE

Standard Features:

- Unique hinged heater design permits easy access, removal and replacement of heater element without disturbing ductwork.
- Coil installed on unit discharge.
- Insulated coil element wrapper.
- Automatic reset high limit cut-outs (one per element).
- Single point electrical connection for entire terminal unit.
- Positive pressure airflow switch.
- Flanged outlet duct connection.
- Terminal unit with coil is ETL Listed as an assembly.
- Controls mounted as standard on RH side as shown. Terminals ordered with LH controls (optional) are inverted.

Voltage:

Single phase, 60 Hz.

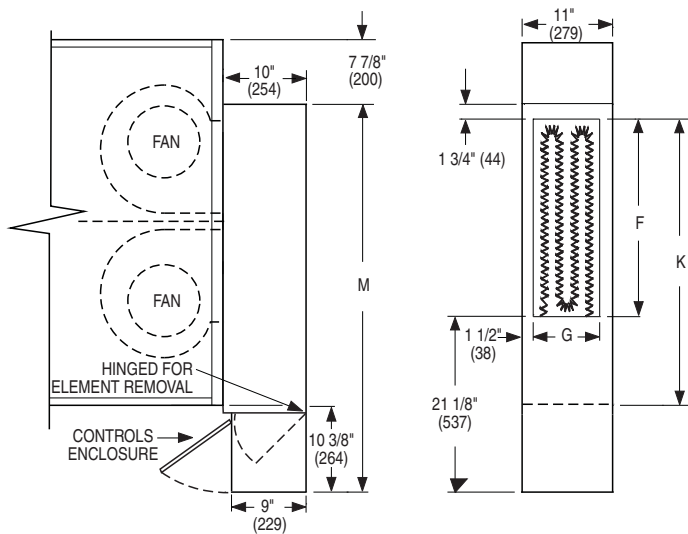
- 208V 240V 277V

Three phase, 60 Hz.

- 208V 480V (4 wire wye). _____

Options:

- Toggle disconnect switch (includes fan).
- Door interlock disconnect switch.
- Mercury contactors.
- Power circuit fusing.
- Class 'A' 80/20 Ni./Ch. wire.
- Dust tight construction.
- Manual reset secondary thermal cut out.



| Unit Size | Imperial Units (inches) | | | Metric Units (mm) | | |
|-----------|-------------------------|--------|--------|------------------------|------|-----|
| | Outlet Duct Size F x G | M | K | Outlet Duct Size F x G | M | K |
| 4 | 23 5/8 x 8 | 46 1/2 | 34 3/8 | 600 x 203 | 1181 | 873 |

SCHEDULE TYPE

PROJECT

ENGINEER

CONTRACTOR

Page 2 of 2.
Dimensions are in inches (mm).

DATE

B SERIES

SUPERSEDES

DRAWING NO.

4 - 20 - 10

3700

5 - 27 - 09

37S-8A