

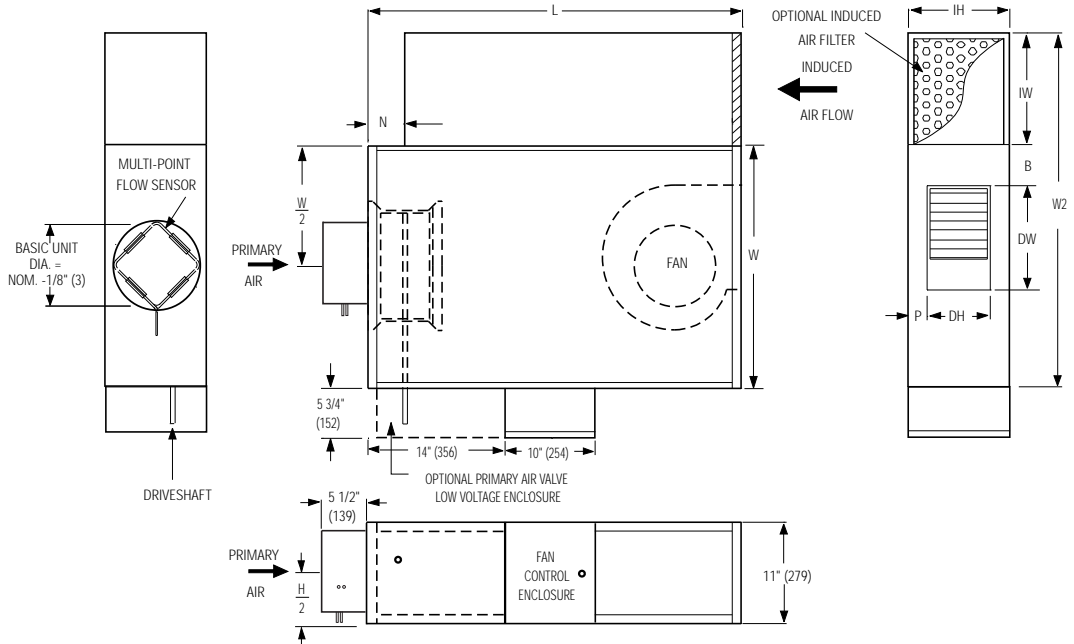


**LOW PROFILE FAN POWERED TERMINAL UNIT WITH ECM MOTOR**  
**'STEALTH' • SERIES FLOW • CONSTANT VOLUME**  
**MODELS: 37SST, 37SEST AND 37SWST • UNIT SIZES 1 & 3**

**DESCRIPTION:**

- Only 11" (279) high.
- 20 ga. (1.0) galvanized steel construction.
- 16 ga. (1.6) galvanized steel inclined blade damper. 45° rotation. CW to close.
- "Stealth" tuned inlet attenuator.
- Multi-point averaging Diamond Flow sensor.
- Access panels on top and bottom.
- Ultra-high efficiency ECM fan motor. EPIC fan volume controller.
- 1/2" (13) dual density insulation, exposed edges coated to prevent air erosion. Meets requirements of NFPA 90A and UL 181.
- Single point electrical and / or pneumatic main air connection.
- Discharge opening for flanged duct connection.
- Full primary air valve low voltage enclosure for factory mounted DDC and analog electronic controls.
- Controls mounted as standard on RH side as shown. Terminals ordered with LH controls (optional) are inverted.

**Model 37SST Basic Unit**



**Dimensional Data. Imperial Units (inches)**

Unit Size	Inlet Size	W	W2	L	B	N	P	Induced Air Inlet IW x IH	Outlet Discharge DW x DH	Filter Size
1	4, 5, 6, 8	19	28	36	13/16	7	1 1/4	9 x 11	7 1/8 x 4 3/4	11 x 9
3	6, 8, 10	26 1/2	38 1/2	40 1/4	4 3/8	6 1/4	1 1/2	12 x 11	12 1/4 x 8	12 x 11

**OTHER OPTIONS:**

- Filter frame and 1" (25) disposable filter.
- Toggle disconnect switch.
- Steri-liner.
- Fiber-free liner.
- Solid metal liner.
- Perforated metal liner.
- Fan unit fusing.
- Hanger brackets.
- Left-hand controls location.
- Special features \_\_\_\_\_.

**Dimensional Data. Metric Units (mm)**

Unit Size	Inlet Size	W	W2	L	B	N	P	Induced Air Inlet IW x IH	Outlet Discharge DW x DH	Filter Size
1	102, 127, 152, 203	483	711	914	21	178	32	229 x 279	181 x 121	279 x 229
3	152, 203, 254	673	978	1022	111	159	38	305 x 279	311 x 263	305 x 279

**Electrical Data**

Unit Size	Motor H.P.	ECM FLA			
		120/1/60	208/1/60	240/1/60	277/1/60
1	*	1.7	1.1	1.1	1.0
3	*	5.1	3.6	3.4	2.9

\* The ECM is a variable horsepower motor. Refer to Selectwoks Schedule.  
 FLA = Full load amperage



Page 1 of 2.

For heat options; see page 2.  
 Dimensions are in inches (mm).

<b>SCHEDULE TYPE</b>				
<b>PROJECT</b>				
<b>ENGINEER</b>	<b>DATE</b>	<b>B SERIES</b>	<b>SUPERSEDES</b>	<b>DRAWING NO.</b>
<b>CONTRACTOR</b>	4 - 20 - 10	3700	12 - 1 - 08	37SST-3A



**LOW PROFILE FAN POWERED TERMINAL UNIT  
WITH ECM MOTOR  
'STEALTH' SERIES FLOW • CONSTANT VOLUME  
HEAT ACCESSORIES  
MODELS: 37SWST AND 37SEST • UNIT SIZES 1 & 3**

**Hot Water Coil Section Model 37SWST**

**Standard Features:**

- Coil section installed on unit discharge.
- Coil (and header on multi-circuit units) is installed in insulated casing for increased thermal efficiency.
- 1/2" (13) copper tubes.
- Aluminum ripple fins.
- Sweat connections: One row 1/2" (13) O. D. male solder. Two and three row 7/8" (22) O.D. male solder.
- Top and bottom access panels for inspection and coil cleaning.
- Flanged outlet duct connection.

**Coil Rows:**

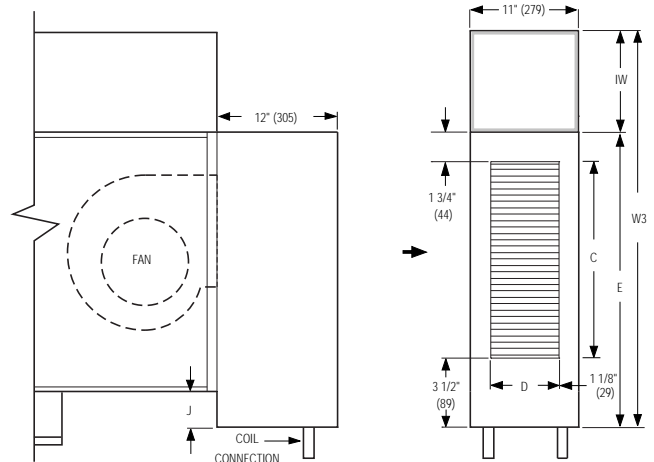
- 1-Row  2-Row  3-Row

**Coil Hand Connections:**

(Looking in direction of airflow).

- Right hand (illustrated). Standard.  
 Left hand (terminals are inverted). Optional.

Connections must be selected same hand as controls enclosure location.



Unit Size	Imperial Units (inches)				Metric Units (mm)			
	Outlet Duct Size C x D	W3	E	J	Outlet Duct Size C x D	W3	E	J
1	14 3/4 x 8 3/4	29	20	1	375 x 222	737	508	25
3	23 7/8 x 8 3/4	41 1/8	29 1/8	2 5/8	606 x 222	1045	740	67

**Electric Coil Section Model 37SEST**

**Standard Features:**

- Controls enclosure incorporates a hinged access door opening upstream that helps ensure NEC clearance requirements and reduces footprint. (FN2 90° design is standard).
- Unique hinged heater design permits easy access, removal and replacement of heater element without disturbing ductwork.
- Coil installed on unit discharge.
- Insulated coil element wrapper.
- Automatic reset high limit cut-outs (one per element).
- Single point electrical connection for entire terminal unit.
- Positive pressure airflow switch.
- Flanged outlet duct connection.
- Terminal unit with coil is ETL Listed as an assembly.
- Controls mounted as standard on RH side as shown. Terminals ordered with LH controls (optional) are inverted.

**Voltage:**

Single phase, 60 Hz.

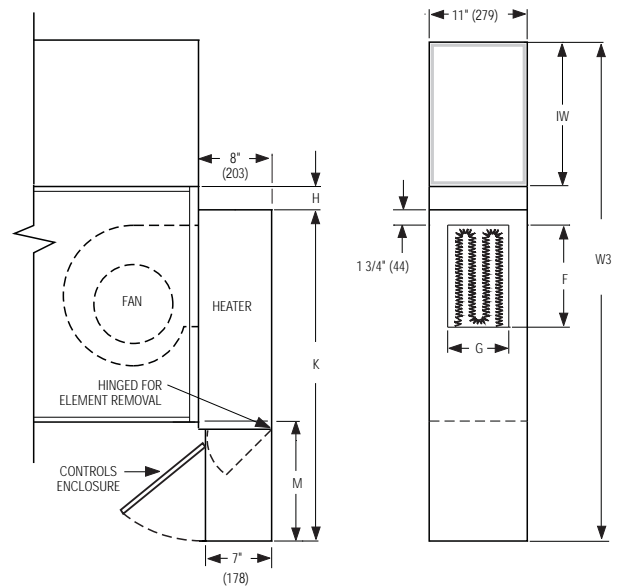
- 208V  240V  277V

Three phase, 60 Hz.

- 208V  480V (4 wire wye).  \_\_\_\_\_

**Options:**

- Toggle disconnect switch (includes fan).  
 Door interlock disconnect switch.  
 Mercury contactors.  
 Power circuit fusing.  
 Class 'A' 80/20 Ni./Ch. wire.  
 Dust tight construction.  
 Manual reset secondary thermal cut out.



Unit Size	Imperial Units (inches)					Metric Units (mm)				
	Outlet Duct Size F x G	W3	H	M	K	Outlet Duct Size F x G	W3	H	M	K
1	10 1/4 x 8	44 1/8	1/2	16 1/8	34 5/8	260 x 203	1121	12	410	879
3	12 1/4 x 8	55 1/2	3 1/2	17	40	311 x 203	1410	89	432	1016

**SCHEDULE TYPE**

**PROJECT**

**ENGINEER**

**CONTRACTOR**

Page 2 of 2.  
Dimensions are in inches (mm).

DATE	B SERIES	SUPERSEDES	DRAWING NO.
4 - 20 - 10	3700	12 - 1 - 08	37SST-3A