



**OUT OF WALL CURTAIN FIRE DAMPER
FOR GRILLES AND REGISTERS
FOR USE IN STATIC SYSTEMS
MODEL: 0110GOW**

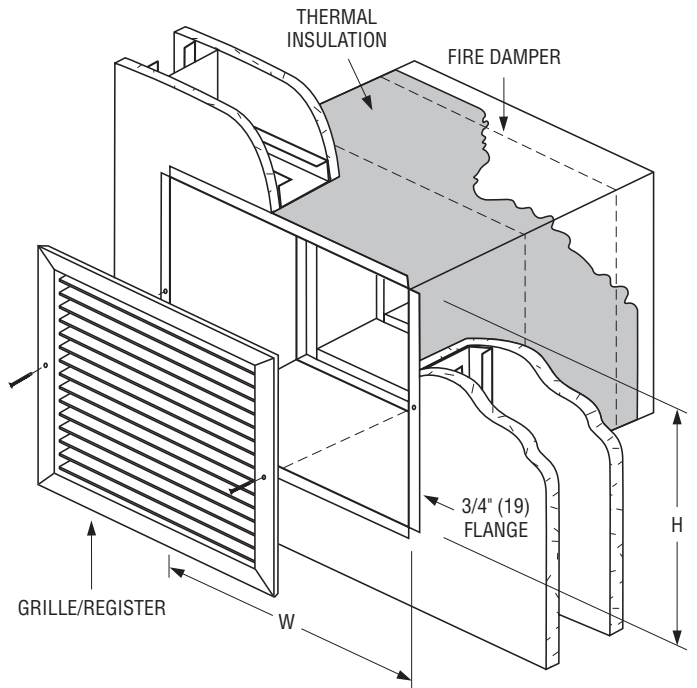


QUALIFICATIONS:

- UL 555 Classified Fire Damper. 1 1/2 hr. label. (File #9492).
- Meets all the requirements of UL and NFPA 90A for fire dampers in static HVAC systems.
- Meets the requirements for BOCA, SBCCI, UBC, IBC and associated local building codes.
- California State Fire Marshal Listing No. Pending.
- City of New York Board of Standards and Appeals. Pending.

The Model 0110GOW is an "out of wall or floor" integral sleeve curtain type fire damper, specifically designed for supply or return ducts that terminate at a grille or register. For use where local building codes require the protection of HVAC ductwork penetrations in walls, partitions or floors that have a fire resistance rating of up to two hours. The 0110GOW is classified for use only in static "fans off" systems where the HVAC system is automatically shut down in the event of a fire alarm.

The 0110GOW design provides sufficient damper off-set to accommodate most commercial grille/register designs while ensuring an approved installation in any fire partition or wall no matter how narrow. This model is particularly suited for use in common steel stud drywall partition designs, as narrow as 3 1/2" (89) where a traditional "within the plane of the wall" fire damper installation is not possible.



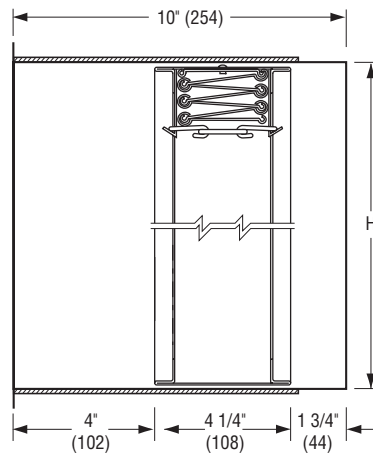
FEATURES

- 3/4" (19) mounting flange simplifies installation, is hidden by grille frame and eliminates the requirement for unsightly mounting angles.
- Qualified for use with steel or aluminum grilles and registers (by Nailor or others).
- Shipped complete with integral insulated sleeve. No field assembly required.
- Suitable for partition/wall thicknesses up to 8" (203) (see notes).
- Can be installed completely from grille side of wall. Rear retaining angles are not required.
- UL Classified for vertical or horizontal installation.

STANDARD CONSTRUCTION:

- Frame: One piece roll-formed 22 ga. (0.85) G60 galvanized steel.
- Blades: Interlocking curtain type 22 ga. (0.85) G60 galvanized steel.
- Blade Closure: Vertical mount model; gravity. Horizontal mount models are equipped with stainless steel closure springs and galvanized steel locking ramps.
- Standard Sleeve: 10" (254) x 16 ga. (1.61) galvanized steel with 3/4" (19) wide mounting flange.
- Insulation: Intumescent thermal insulation on four sides.
- Fusible Link: 165°F (74°C) standard. UL Listed. 212°F (100°C) available.
- Minimum size: 4" x 4" (102 x 102).
- Maximum size: Vertical or Horizontal mount: 36" x 24" (914 x 610).

STANDARD DAMPER/SLEEVE



NOTES:

1. Dependent upon partition/wall thickness and the damper off-set clearance requirement for desired grille/register, a standard "within the wall" fire damper with no sleeve insulation may be acceptable. Refer to Nailor Model Series 0100G and 0200G for static systems or D0100G for dynamic systems.
2. Building code and UL Classification require damper installation in accordance with manufacturer's instructions. Refer to doc. IOM-FDGOWINST.

SCHEDULE TYPE:

PROJECT:

ENGINEER:

CONTRACTOR:

Dimensions are in inches (mm).

DATE	B SERIES	SUPERSEDES	DRAWING NO.
4 - 11 - 05	FD	NEW	0100-8