



THINLINE CURTAIN FIRE DAMPER
1 1/2 HR. LABEL • VERT. OR HORIZ.
FOR USE IN STATIC SYSTEMS
MODELS 0210V AND 0210H TYPE A



QUALIFICATIONS:

- UL 555 Classified Fire Damper. 1 1/2 hr. label. (File # 9492).
- CAN/ULC-S112 Fire Damper Assemblies.
- Meets all the requirements of UL and NFPA 90A for fire dampers in static HVAC systems.
- Meets the requirements for BOCA, SBCCI, UBC, IBC, NBC (Canada) and associated local building codes.
- California State Fire Marshal Listing No. 03225-0935:100.
- City of New York Board of Standards and Appeals. Cal. No. 460-88-SA.

The 0210 curtain fire damper is UL approved for use where local building codes require the protection of HVAC ductwork penetrations in walls, partitions or floors that have a fire resistance rating of up to 2 hours. The 0210 is classified for use only in static "fans off" systems where the HVAC system is automatically shut down in the event of a fire alarm. Thinline fire dampers are only 2" (51) deep and permit installation in narrow fire partitions, transfer openings, behind grilles or in any application where clearance is restricted.

STANDARD SPECIFICATION:

- FRAME:** 2" (51) wide, 22 ga. (0.85) roll-formed G60 galvanized steel.
- BLADES:** Curtain type interlocking blades, 22 ga. (0.85) roll-formed G60 galvanized steel.
- FUSIBLE LINK:** 165°F (74°C) standard. UL Listed. 212°F (100°C) available.
- BLADE CLOSURE:** Vertical mount model; gravity. Horizontal mount models are equipped with stainless steel closure springs and galvanized steel locking ramps.
- MINIMUM SIZE:** 4" x 4" (102 x 102).
- MAXIMUM SIZE:** Vertical mount: 41" x 36" (1041 x 914) or 36" x 60" (914 x 1524). Horizontal mount: 41" x 36" (1041 x 914). Multiple Section Assemblies are not permitted.

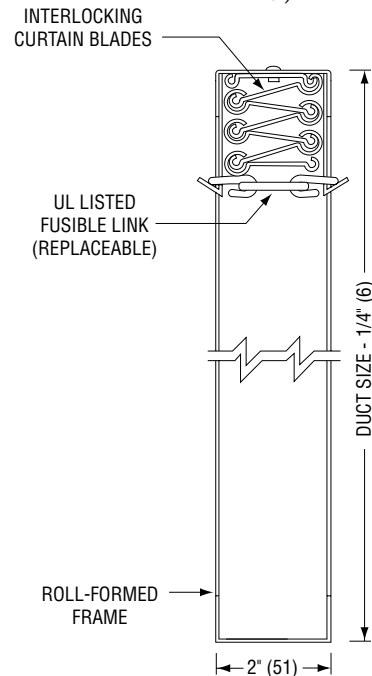
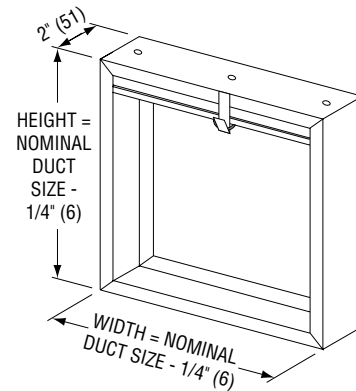
OPTIONS:

- Non-standard temperature fusible link. Specify _____.
- Pull Tab Release. Permits simple reset of horizontal damper when access door is located below damper. (See dwg. ACC-PTR for details).
- Factory Sleeve. Available in 10 (3.5) through 22 ga. (0.85) galvanized steel and in lengths required for application. Specify : _____ length. _____ ga.

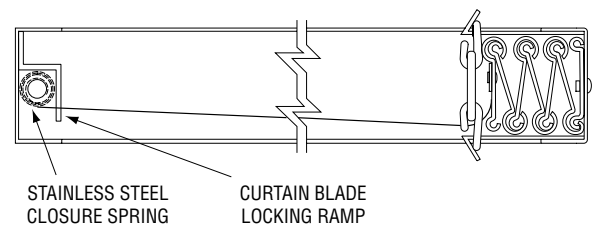
NOTES:

1. Units are manufactured 1/4" (6) under nominal duct size.
2. Building code and UL Classification require damper installation in accordance with manufacturer's instructions. Refer to doc. IOM-FDTINST.

Manufactured by members of S.M.W.I.A.



MODEL 0210V – VERTICAL MOUNT



MODEL 0210H – HORIZONTAL MOUNT

SCHEDULE TYPE:		Dimensions are in inches (mm).			
PROJECT:					
ENGINEER:	DATE	B SERIES	SUPERSEDES	DRAWING NO.	
CONTRACTOR:	3 - 1 - 05	FD	8 - 2 - 02	0200-1	