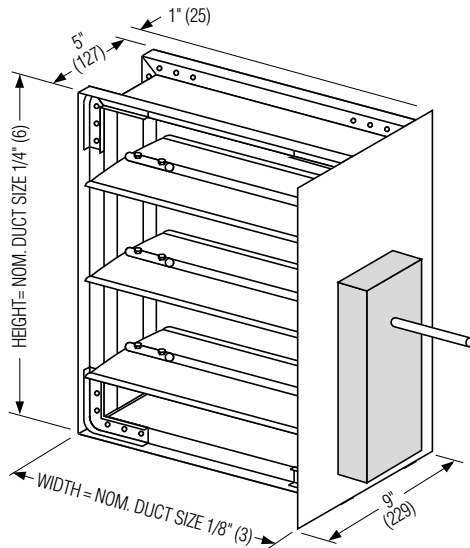
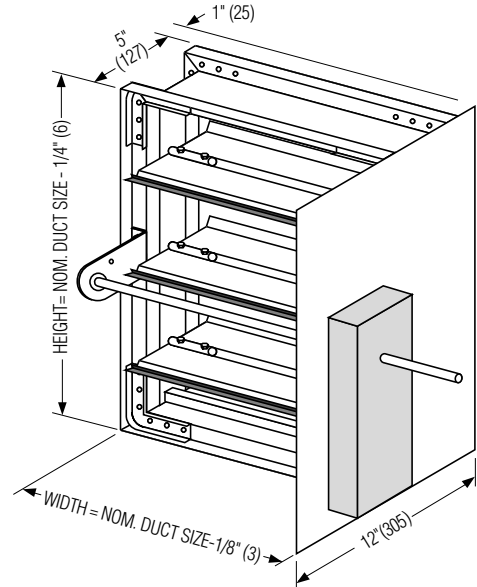




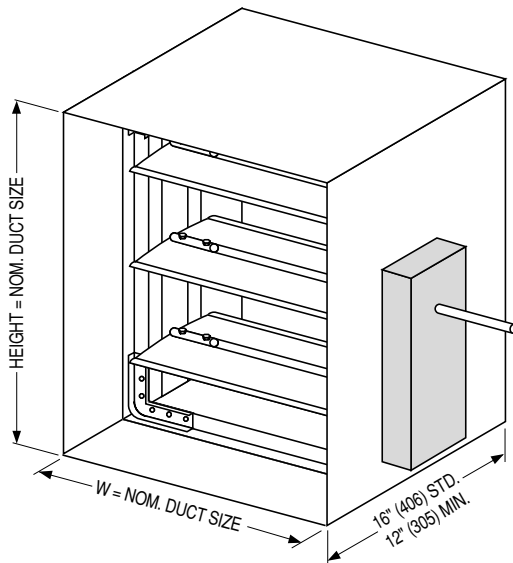
**SMP SIDE ACTUATOR MOUNTING PLATE
AND TYPE 'A' SLEEVE DETAIL
SMOKE DAMPERS
MODEL SERIES: 1210, 1260 AND 1280**



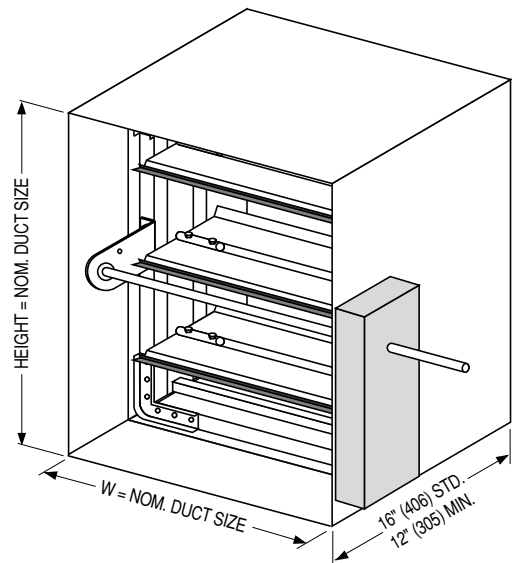
**SMP SIDE ACTUATOR MOUNTING PLATE
DIRECT DRIVE MODELS**



**SMP SIDE ACTUATOR MOUNTING PLATE
JACKSHAFT DRIVE MODELS**



**TYPE 'A' SLEEVE
DIRECT DRIVE MODELS**



**TYPE 'A' SLEEVE
JACKSHAFT DRIVE MODELS**

NOTE:

Smoke Dampers shall be installed in accordance with NFPA 90A, latest edition and Nailor installation instructions – see dwg. 1200SD-INST.. Dampers must be installed within 24" (610) of the smoke barrier to conform with installation requirements.

SCHEDULE TYPE:	
PROJECT:	
ENGINEER:	
CONTRACTOR:	

Dimensions are in inches (mm).

DATE	B SERIES	SUPERSEDES	DRAWING NO.
22 - 9 - 00R	1200	10 - 95	1200-11