



FORMED STEEL ADJUSTABLE LOUVER

4" (102) DEEP • DRAINABLE BLADE

MODEL: 1704AD

Model 1704AD adjustable, drainable blade louver combines architecturally pleasing aesthetics with airflow control including tight shut-off. Suitable for use in exhaust and low to medium velocity intake applications, the design features a drainable blade with rain gutters that divert collected water down concealed side downspouts and out the sill. Rugged galvanized steel construction provides excellent durability. The blades can be operated manually or with an actuator to provide tight shut-off when desired. Model 1704AD provides operable flexibility as well as excellent protection against the elements.

STANDARD CONSTRUCTION:

- FRAME:** 4" (102) deep, 16 ga. (1.6) formed galvanized steel.
- BLADES:** 16 ga. (1.6) formed galvanized steel at 37 1/2 degree angle. Drainable style.
- BLADE SPACING:** Approx. 3 1/2" (89) on centers.
- JAMB SEALS:** Compression type cambered metal.
- AXLES:** 1/2" (13) dia. plated steel.
- BEARINGS:** 1/2" (13) dia. stainless steel sleeve type.
- LINKAGE:** Plated steel. Concealed in frame.
- OPERATOR:** Hand locking louver quadrant.
- SCREEN:** 1/2" x 1/2" x 19 ga. (13 x 13 x 1.0) galvanized bird screen in removable frame (adds approximately 3/8" [10] to louver depth).
- FINISH:** Mill.
- MINIMUM SIZE:** 12" wide x 12" high (305 x 305).

MAXIMUM SINGLE SECTION SIZE: 48" wide x 96" high (1219 x 2438) with jamb and/or blade seals. 60" wide x 96" high (1524 x 2438) without seals. Larger louvers will require field assembly of smaller sections.

OPTIONS:

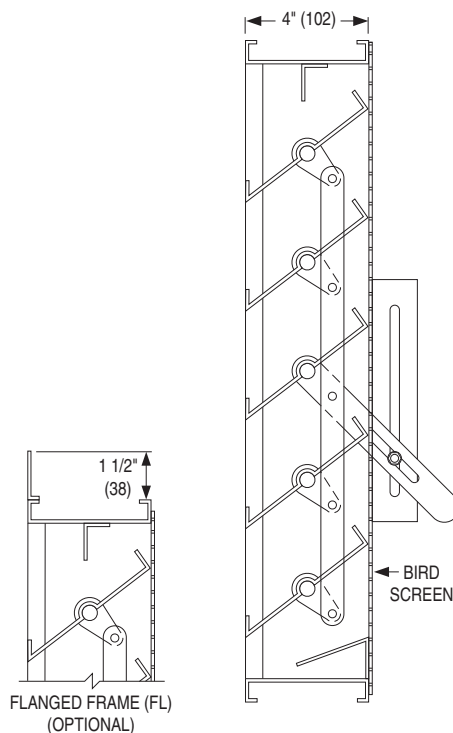
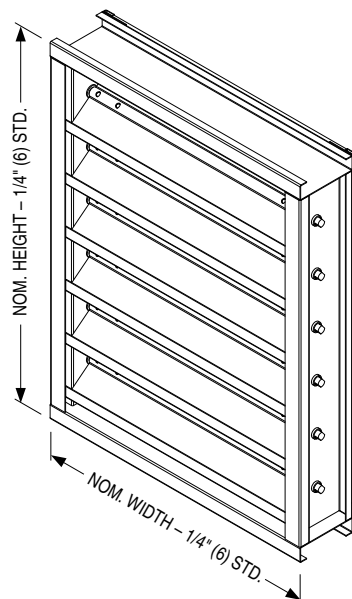
- FL** Flanged Frame.
- BPV** PVC Blade Seals.
- JSN** No Jamb Seals.
- BSA** Aluminum Bird Screen.
- BSSS** Type 304 S.S. Bird Screen.
- BSN** No Bird Screen.
- ISA** Aluminum Insect Screen.
- ISSS** Type 304 S.S. Insect Screen.
- 304** Type 304 S.S. Construction.
- 316** Type 316 S.S. Construction.
- WE** Welded Construction.
- ESI** Extended Sill.
- FR1** 1" (25) Filter Rack.
- FR2** 2" (51) Filter Rack.
- PAC** Perimeter Anchor Clips.
- ACT** Electric or Pneumatic Actuator.
- Specify: _____
- Other: _____

OPTIONAL FINISHES:

- PC3** Powder Coat AAMA 2603. Color: _____
- PC4** High Performance Powder Coat AAMA 2604 (Equivalent to 50% Kynar®). Color: _____
- PC5** Fluoropolymer Powder Coat AAMA 2605 (Equivalent to 70% Kynar®). Color: _____
- PCC** Prime Coat.

OPTIONAL W x H SIZING (1/4" [6.5] Undersize standard):

- U00** Exact Size.
- U38** Undersize 3/8" (9.5).
- U50** Undersize 1/2" (12.7).



SCHEDULE TYPE:
PROJECT:
ENGINEER:
CONTRACTOR:

Page 1 of 2
Dimensions are in inches (mm).

DATE	B SERIES	SUPERSEDES	DRAWING NO.
12 - 1 - 10	1700	5 - 3 - 10	1704AD



FORMED STEEL ADJUSTABLE LOUVER
4" (102) DEEP • DRAINABLE BLADE
PERFORMANCE DATA
MODEL: 1704AD

FREE AREA in Square Feet and Square Meters

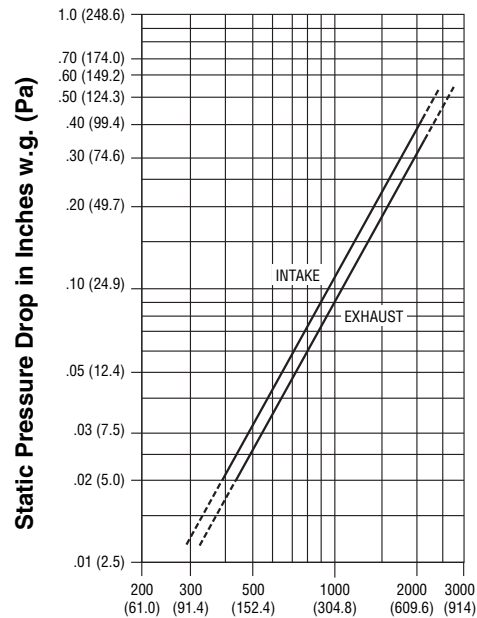
		Width in Inches and Meters									
		12	18	24	30	36	42	48	54	60	
Height in Inches and Meters	12	0.25	0.45	0.64	0.84	1.04	1.24	1.43	1.63	1.83	
	.30	0.02	0.04	0.06	0.08	0.10	0.11	0.13	0.15	0.17	
	18	0.44	0.78	1.13	1.47	1.81	2.16	2.50	2.85	3.19	
	.46	0.04	0.07	0.10	0.14	0.17	0.20	0.23	0.26	0.30	
	24	0.66	1.18	1.70	2.22	2.74	3.26	3.78	4.30	4.82	
	.61	0.06	0.11	0.16	0.21	0.25	0.30	0.35	0.40	0.45	
	30	0.85	1.51	2.18	2.85	3.52	4.18	4.85	5.52	6.18	
	.76	0.08	0.14	0.20	0.26	0.33	0.39	0.45	0.51	0.57	
	36	1.02	1.83	2.63	3.44	4.24	5.05	5.85	6.65	7.46	
	0.91	0.09	0.17	0.24	0.32	0.39	0.47	0.54	0.62	0.69	
	42	1.21	2.16	3.12	4.07	5.02	5.97	6.93	7.88	8.83	
	1.07	0.11	0.20	0.29	0.38	0.47	0.55	0.64	0.73	0.82	
	48	1.40	2.51	3.61	4.71	5.82	6.92	8.03	9.13	10.23	
	1.22	0.13	0.23	0.34	0.44	0.54	0.64	0.75	0.85	0.95	
	54	1.58	2.83	4.07	5.32	6.56	7.80	9.05	10.29	11.54	
	1.37	0.15	0.26	0.38	0.49	0.61	0.73	0.84	0.96	1.07	
	60	1.78	3.18	4.58	5.98	7.37	8.77	10.17	11.57	12.97	
	1.52	0.17	0.30	0.43	0.56	0.69	0.82	0.95	1.08	1.21	
	66	1.96	3.49	5.03	6.57	8.11	9.65	11.19	12.73	14.27	
	1.68	0.18	0.32	0.47	0.61	0.75	0.90	1.04	1.18	1.33	
72	2.19	3.92	5.64	7.36	9.09	10.81	12.54	14.26	15.98		
1.83	0.20	0.36	0.52	0.68	0.84	1.00	1.16	1.32	1.48		
78	2.36	4.22	6.08	7.94	9.80	11.66	13.52	15.38	17.24		
1.98	0.22	0.39	0.57	0.74	0.91	1.08	1.26	1.43	1.60		
84	2.56	4.57	6.58	8.60	10.61	12.62	14.64	16.65	18.66		
2.13	0.24	0.42	0.61	0.80	0.99	1.17	1.36	1.55	1.73		
90	2.74	4.89	7.04	9.20	11.35	13.51	15.66	17.81	19.97		
2.29	0.25	0.45	0.65	0.85	1.05	1.25	1.45	1.65	1.86		
96	2.93	5.23	7.53	9.84	12.14	14.44	16.74	19.05	21.35		
2.44	0.27	0.49	0.70	0.91	1.13	1.34	1.56	1.77	1.98		

AIRFLOW/ WATER PENETRATION DATA
for 48" x 48" (1219 x 1219) Louver Size

Free Area %	50%
Free Area sq. ft. (sq. m.)	8.03 (0.75)
Free Area Velocity at Point of Beginning Water Penetration at .01 oz./sq. ft. (3 ml/sq. m) (15 min. test duration)	991 fpm (302 m/min.)
Air Volume at 991 fpm	7958 cfm (3755 l/s)
Free Area Velocity	
Pressure Drop @ 991 fpm	.11 in. w.g. (27 Pa)

NOTE: To minimize water penetration when sizing intake louvers, select a Free Area Velocity that is **below** the point of beginning water penetration.

PRESSURE DROP



Air Velocity in Feet (Meters) Per Minute Through Free Area
 Louver test size: 48" x 48" (1219 x 1219 mm). Standard air density @ 0.075 lbs/ft³.

SCHEDULE TYPE:	Page 2 of 2			
PROJECT:	Dimensions are in inches (mm).			
ENGINEER:	DATE	B SERIES	SUPERSEDES	DRAWING NO.
CONTRACTOR:	12 - 1 - 10	1700	5 - 3 - 10	1704AD