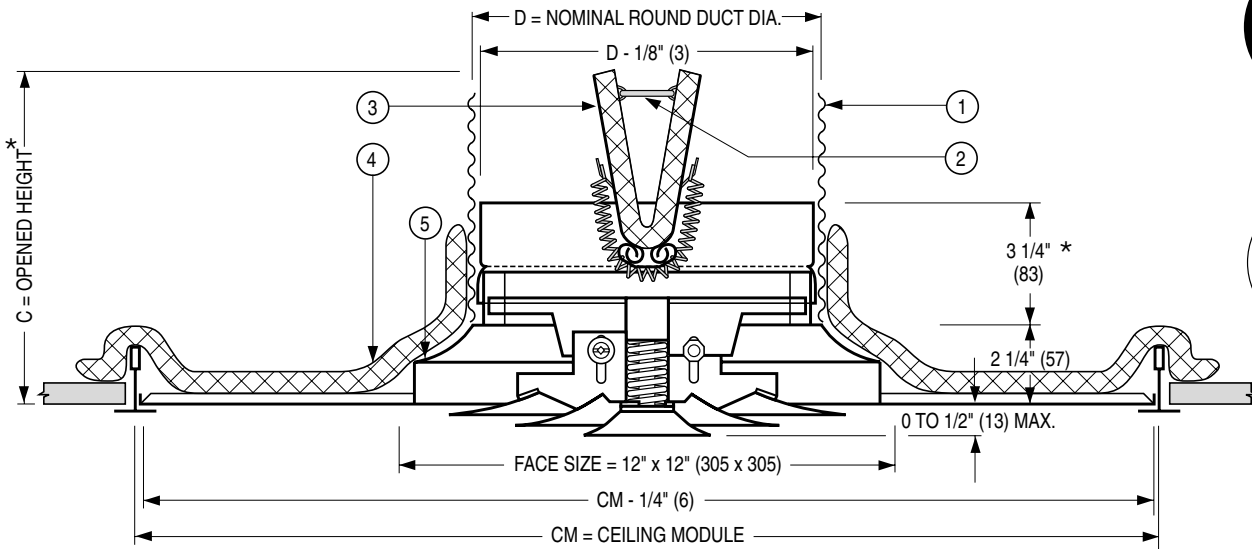




FIRE RATED CEILING DIFFUSER
ADJUSTABLE PATTERN • LOUVERED FACE
PANEL TYPE • STEEL • ROUND NECK • 4 CONE
MODELS: 4030-1 AND 4040-1



CATEGORY
BZZU



CATEGORY
40U18.1-1/2A



	Imperial Modules				Metric Modules	
	Imperial Units (inches)		SI Units (mm)		SI Units (mm)	
Listed Neck Size	CM = 24 x 12		CM = 610 x 305		CM = 600 x 300	
	D	C *	D	C *	D	C *
6	6	6 3/4	152	171	152	171
8	8	7 3/4	203	197	203	197
Listed Neck Size	CM = 24 x 24		CM = 610 x 610		CM = 600 x 600	
	D	C *	D	C *	D	C *
6	6	6 3/4	152	171	152	171
8	8	7 3/4	203	187	203	197

* Plus 1 1/2" (38) with AV option.

ITEMS:

1. Flexible air duct (UL/ULC Class 0 or 1) connector or steel duct.
2. U.L. Listed fusible link. 212°F (100°C) standard.
3. Ceiling radiation damper/fire stop flap.
4. Ceramic fibre thermal blanket.
5. Corrosion resistant steel panel diffuser.

DESCRIPTION:

1. All models are classified for use in UL/ULC restrained or unrestrained floor/ceiling and or roof/ceiling assemblies which incorporate an exposed grid suspended ceiling (lay-in T-bar) with up to a 3 hour rating. For details of fire rated assemblies, see the current UL Fire Resistance Directory or ULC List of Equipment and Materials Vol. III Fire Resistant Ratings.
2. The diffuser has a unique screw-type arrangement for quick and simple adjustment which can vary the air discharge pattern from horizontal to vertical by rotating the center cone and so moving the inner cone assembly up or down. A spring clip arrangement allows removal of the inner cone assembly.

MODEL 4030-1
 24 x 12 (600 x 300) module
 Type PL Panel Lay-in Frame

MODEL 4040-1
 24 x 24 (600 x 600) module
 Type PL Panel Lay-in Frame

3. The diffuser delivered air in a true 360° stream-line pattern. Excellent for VAV systems.
4. The diffuser consists of four die-formed concentric cones in all sizes which eliminate mitered corners and provide uniform appearance in all neck sizes set in a panel.
5. Standard finish is AW Appliance white.

OPTIONS:

1. AV Fusible link adjustable volume control (Model 0722A damper)
2. Non-standard temperature U.L. Listed fusible link.
 165°F (74°C) 286°F (141°C)
3. Finish:
 SP Special

For installation instructions, see drwgs. 4000-1A and 1B or 4000-2A and 2B.

Dimensions are in inches (mm).

SCHEDULE TYPE:			
PROJECT:			
ENGINEER:			
CONTRACTOR:			
DATE	B SERIES	SUPERSEDES	DRAWING NO.
9 - 7 - 05	4000	1 - 8 - 00R	4000-4B