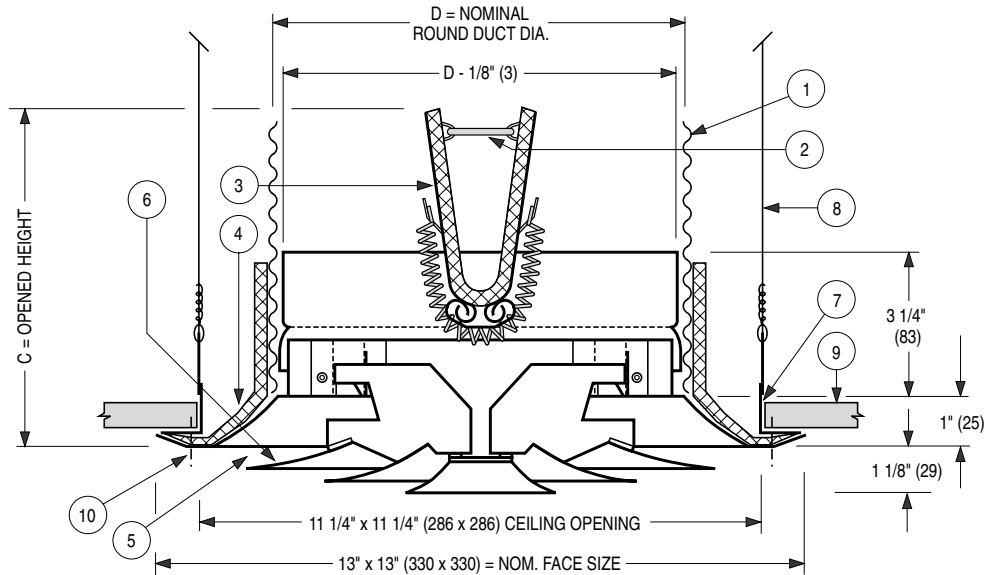


**12 X 12 (300 X 300) SURFACE MOUNT MODULE FOR HARD CEILINGS.**



CATEGORY  
40U18.1-1/2A



	Imperial Modules		Metric Modules			
	Imperial Units (inches)	SI Units (mm)	SI Units (mm)			
<b>Listed Neck Size</b>	CM = 12 x 12		CM = 305 x 305		CM = 300 x 300	
6	D = 6	C = 5 1/2	D = 152	C = 140	D = 152	C = 140
8	D = 8	C = 6 1/2	D = 203	C = 165	D = 203	C = 165

**MODEL 4010-SM**

12 x 12 (300 x 300) module  
Type S Surface Mount Frame

**ITEMS:**

1. Flexible air duct (UL/ULC Class 0 or 1) connector or steel duct.
2. U.L. Listed fusible link. 212°F (100°C) standard.
3. Ceiling radiation damper/fire stop flap.
4. Ceramic fibre thermal blanket.
5. Corrosion resistant steel diffuser.
6. Louvered deflector cones.
7. Mounting support frame.
8. Hanger wires (by others).
9. Ceiling membrane.
10. Mounting screws.

2. A spring clip arrangement permits quick, easy installation and removal of the inner cone assembly.
3. The diffuser delivered air in a true 360° streamline pattern. Excellent for VAV systems.
4. The diffuser consists of four die-formed concentric cones in all sizes which eliminate mitered corners and provide uniform appearance in all neck sizes.
5. Standard finish is AW Appliance white.

**DESCRIPTION:**

1. Classified by Underwriters' Laboratories of Canada (ULC) for use in ULC restrained or unrestrained floor/ceiling and or roof/ceiling assemblies which incorporate air ducts and a hard (gypsum board) ceiling membrane with up to a 3 hour rating. For details of fire rated assemblies, see the current ULC List of Equipment and Materials Vol. III Fire Resistant Ratings. The use of this product in fire-rated ceilings with ceiling membrane protection and/or UL Classified assemblies in the U.S.A. requires local approval by the authority having jurisdiction.

**OPTIONS:**

1.  AV Fusible link adjustable volume control (Model 0722A damper).
2. Non-standard temperature U.L. Listed fusible link.  
 165°F (74°C)     286°F (141°C)
3. Finish:  
 SP Special

For installation instructions, see drwg. 4000-10.

**SCHEDULE TYPE:**

**PROJECT:**

**ENGINEER:**

**CONTRACTOR:**

Dimensions are in inches (mm).

DATE	B SERIES	SUPERSEDES	DRAWING NO.
3 - 5 - 99RR	4000	4 - 28 - 97	4000-8