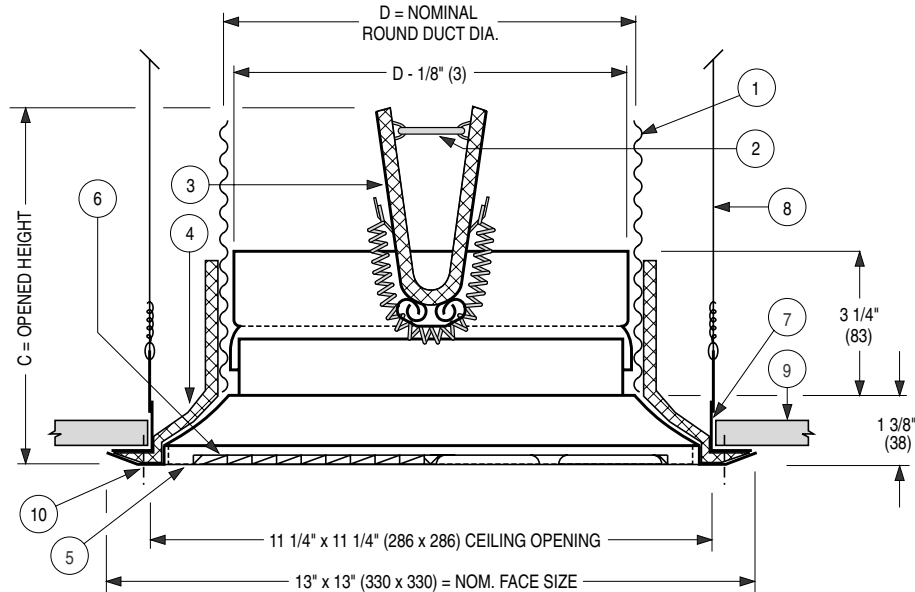




FIRE RATED CEILING DIFFUSER
PERFORATED FACE • SURFACE MOUNT •
STEEL • ROUND NECK
MODEL: 4070-SM

12 X 12 (300 X 300) SURFACE MOUNT MODULE FOR HARD CEILINGS.



Listed Neck Size	Imperial Modules		Metric Modules			
	Imperial Units (inches)		SI Units (mm)		SI Units (mm)	
	CM = 12 x 12	CM = 305 x 305	D	C	D	C
6	6	5 7/8	152	149	152	149
8	8	6 7/8	203	175	203	175

MODEL 4070-SM

12 x 12 (300 x 300) module
Type S Surface Mount Frame

ITEMS:

1. Flexible air duct (UL/ULC Class 0 or 1) connector or steel duct.
2. U.L. Listed fusible link. 212°F (100°C) standard.
3. Ceiling radiation damper/fire stop flap.
4. Ceramic fibre thermal blanket.
5. Corrosion resistant steel diffuser.
6. Adjustable pattern controllers.
7. Mounting support frame.
8. Hanger wires (by others).
9. Ceiling membrane.
10. Mounting screws.

2. The discharge pattern is 1, 2, 3, or 4-way horizontal and is adjusted by dropping the perforated face and rotating the pattern deflectors. Removable face has spring clips for easy access to the damper.
3. Excellent for VAV systems.
4. The perforated face has 3/16" (5) dia. holes on 1/4" (6) staggered centres.
5. Standard finish is AW Appliance white.

DESCRIPTION:

1. Classified by Underwriters' Laboratories of Canada (ULC) for use in ULC restrained or unrestrained floor/ceiling and or roof/ceiling assemblies which incorporate air ducts and a hard (gypsum board) ceiling membrane with up to a 3 hour rating. For details of fire rated assemblies, see the current ULC List of Equipment and Materials Vol. III Fire Resistant Ratings. The use of this product in fire-rated ceilings with ceiling membrane protection and/or UL Classified assemblies in the U.S.A. requires local approval by the authority having jurisdiction.

OPTIONS:

1. AV Fusible link adjustable volume control (Model 0722A damper).
2. Non-standard temperature U.L. Listed fusible link.
 165°F (74°C) 286°F (141°C)
3. Finish:
 SP Special

For installation instructions, see drwg. 4000-10.

Dimensions are in inches (mm).

SCHEDULE TYPE:				
PROJECT:				
ENGINEER:	DATE	B SERIES	SUPERSEDES	DRAWING NO.
CONTRACTOR:	3 - 5 - 99RR	4000	4 - 28 - 97	4000-9