

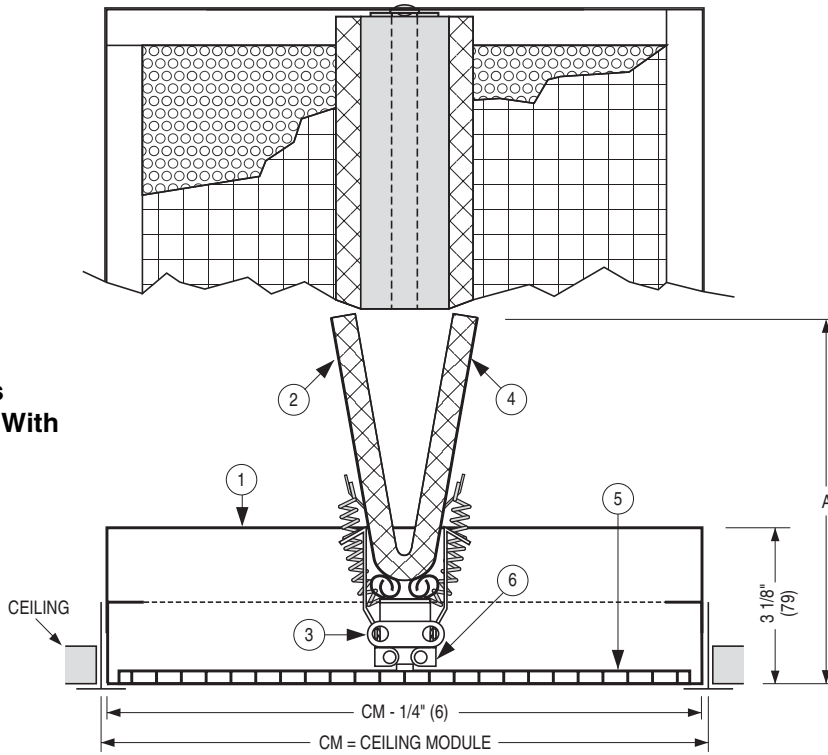


**FIRE RATED DUCTLESS
RETURN AIR GRILLES
WITH ADJUSTABLE VOLUME CONTROL
MODELS: 4111 AV THRU 4119 AV**

**Perforated Grille
Models • With
AV Option:**
4111 AV, 4112 AV,
4113 AV

**Eggcrate Grille
Models • With
AV Option:**
4114 AV, 4115 AV,
4116 AV

**Open Face Models
(grille by others) • With
AV Option:**
4117 AV, 4118 AV,
4119 AV



CATEGORY
BZZU & CABS



CATEGORY
40U18.2W

DESCRIPTION:

1. Damper frame: Galvanized steel, standard.
2. Damper blades: Galvanized steel, standard.
3. U.L. Listed fusible link: 212°F (100°C) standard.
4. Blade insulation: Ceramic fiber.
5. Perforated face: Models are corrosion-resistant steel with 3/16" (5) diameter holes on staggered 1/4" (6) centers (51% free area).
Eggcrate face: Models feature an 1/2 x 1/2 x 1/2 (13 x 13 x 13) aluminum grid core.
Standard finish: AW Appliance white baked enamel.
6. AV Adjustable fusible link assembly permits the damper to be used as a balancing damper for volume control. The blades are adjusted with a 3/16" (5) hex key (by others) and perform like a butterfly damper.

OPTIONS:

1. Non-standard temperature U.L. Listed fusible link.
 - 165°F (74°C)
 - 286°F (141°C)
2. Finish:
 - SP Special _____.

The **Nailor Series 4100** are UL/ULC classified fire rated ceiling diffuser assemblies listed in Underwriters Laboratories Fire Resistance Directory and Underwriters' Laboratories of Canada List of Equipment and Materials. This design meets UL time-vs-temperature test criteria and NFPA 90A requirements.

All diffusers are classified for use in UL/ULC restrained or unrestrained floor/ceiling and or roof/ceiling assemblies which incorporate an exposed grid suspended ceiling (lay-in T-bar) with up to a 3 hour rating. For details of fire rated assemblies, see the current UL Fire Resistance Directory or ULC List of Equipment and Materials Vol. III Fire Resistant Ratings.

For use with exposed grid T-bar ceilings only.
For installation instructions see dwg. 4100-4.

Available Sizes and Dimensional Data

Model No.	Face Type	Ceiling Module		Opening Height A
		Imperial (inches)	Metric (mm)	Standard
4111 AV	Perforated	12 x 12	300 x 300	7 1/4" (184)
4112 AV		24 x 12	600 x 300	7 1/4" (184)
4113 AV		24 x 24	600 x 600	13 1/4" (337)
4114 AV	Eggcrate	12 x 12	300 x 300	7 1/4" (184)
4115 AV		24 x 12	600 x 300	7 1/4" (184)
4116 AV		24 x 24	600 x 600	13 1/4" (337)
4117 AV	Open Face	12 x 12	300 x 300	7 1/4" (184)
4118 AV		24 x 12	600 x 300	7 1/4" (184)
4119 AV		24 x 24	600 x 600	13 1/4" (337)

SCHEDULE TYPE:

PROJECT:

ENGINEER:

CONTRACTOR:

Dimensions are in inches (mm).

DATE

B SERIES

SUPERSEDES

DRAWING NO.

11 - 8 - 07

4100

7 - 9 - 01

4100-1B