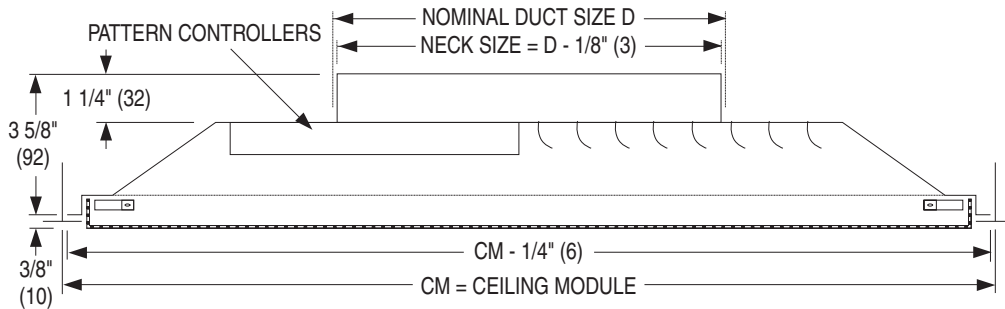




PERFORATED CEILING DIFFUSERS
SUPPLY • DROP FACE
NECK MOUNTED DEFLECTORS
1,2,3 or 4-WAY ADJUSTABLE DISCHARGE
MODELS: 4325F, 4325FA

TYPE L Lay-in



Available Combinations of Ceiling Module vs. Neck Size

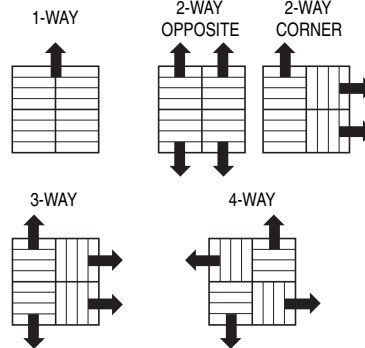
Ceiling Module CM		Nominal Duct Size D			
Imperial Modules	Metric Modules	Round Neck		Square Neck	
		Imperial Units (in.)	Metric Units (mm)	Imperial Units (in.)	Metric Units (mm)
24 x 24	600 x 600	6, 8	152, 203	6 x 6, 8 x 8	152 x 152, 203 x 203
		10, 12	254, 305	10 x 10, 12 x 12	254 x 254, 305 x 305
		14, 15	356, 381	14 x 14, 15 x 15	356 x 356, 381 x 381
		16	406	16 x 16	406 x 406

DESCRIPTION:

1. Material: Corrosion-resistant steel.
2. Designed to maximize throw, the diffuser features heavy gauge stamped pattern controllers mounted directly under the neck. The controllers are factory set with a 4-way discharge. The discharge pattern can be field adjusted to a 1, 2, or 3-way pattern. The air pattern controller has fixed curved vanes that optimize airflow projection.
3. Removable face has concealed latches for easy access to optional damper.
4. Perforated face has 3/16" (5) diameter holes on 1/4" (6) staggered centres.
5. Excellent performance in VAV systems.
6. Standard finish is AW Appliance White.

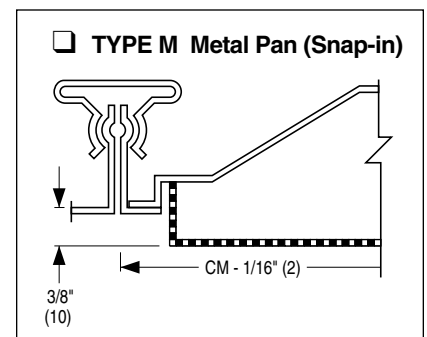
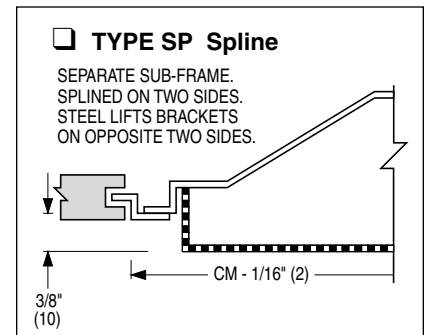
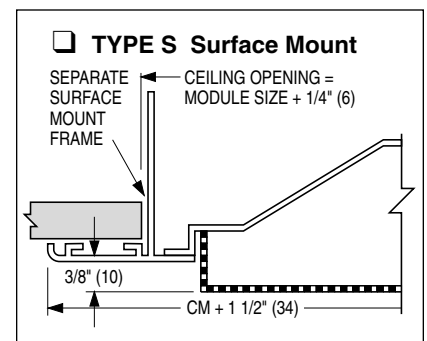
PATTERN CONTROLLER ADJUSTMENTS

(THE DIFFUSER IS SHIPPED WITH A 4-WAY DISCHARGE).



OPTIONS:

- Aluminum perforated face/steel backpan. (Model 4320FA).
 - EX External Foil-Back Insulation, installed - R-4.2
 - EXB External Foil-Back Insulation, ships loose - R-4.2
 - MIB Molded Insulation Blanket - R-6.0
- Finish:
- BA Black back pan and deflectors with Appliance White face.
 - SP Special _____.



SCHEDULE TYPE:	
PROJECT:	
ENGINEER:	
CONTRACTOR:	

Dimensions are in inches (mm).

DATE	B SERIES	SUPERSEDES	DRAWING NO.
1 - 7 - 11	4300	11 - 5 - 07	4325F