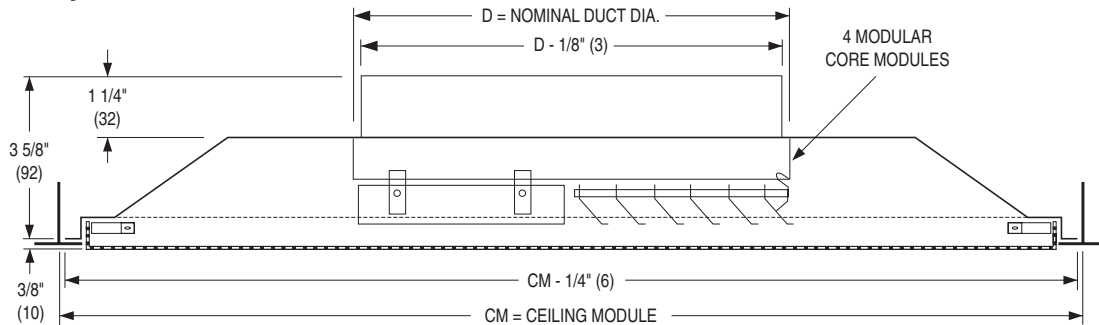




PERFORATED CEILING DIFFUSERS
MODULAR CORE • ROUND NECK • DROP FACE
ADJUSTABLE DISCHARGE PATTERN
MODELS: 4325MR AND 4325MRA

TYPE L Lay-in T-Bar

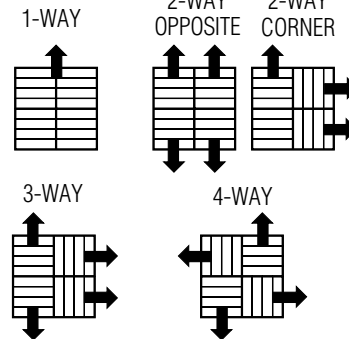


Available Combinations of Ceiling Module vs. Neck Size

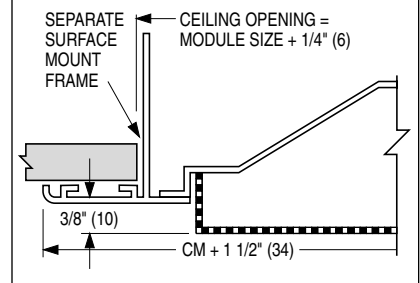
Ceiling Module CM		Nominal Duct Size D	
Imperial Modules	Metric Modules	Round Neck	
		Imperial Units (in.)	Metric Units (mm)
12 x 12	300 x 300	6, 8	152, 203
		6, 8	152, 203
24 x 24	600 x 600	10, 12	254, 305
		14, 15	356, 381
		16	406

MODULAR CORE ADJUSTMENTS

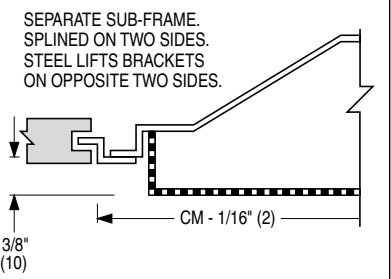
(The diffuser is shipped with the core set for 4-way discharge).



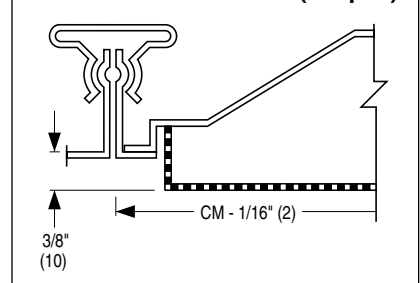
TYPE S Surface Mount



TYPE SP Spline



TYPE M Metal Pan (Snap-in)



DESCRIPTION:

1. Material: Corrosion-resistant steel.
2. Low profile back pan features an integral 'blow-thru' round neck which eliminates the need for adaptors. Four individual spring-loaded adjustable modular pattern controllers are mounted inside the backpan. This positions the leading edge of the pattern controllers near the perforated face and flush with ceiling for optimum performance. The engineered design maintains a tight, uniform horizontal throw pattern from maximum to minimum cataloged air volumes. Discharge pattern can adjust to 1, 2, 3 or 4-way horizontal, before or after installation. Discharge pattern is adjusted by dropping the perforated face and rotating the pattern deflectors. Diffusers are shipped from the factory with a 4-way discharge pattern.
3. Removable face has concealed latches for easy access to core.
4. Perforated face has 3/16" (5) diameter holes on 1/4" (6) staggered centers.
5. Excellent performance in VAV systems.
6. Standard finish is AW Appliance White.

OPTIONS:

- Aluminum perforated face/steel backpan (Model 4325MRA).
- EX External Foil-Back Insulation, installed - R-4.2
- EXB External Foil-Back Insulation, ships loose - R-4.2
- MIB Molded Insulation Blanket - R-6.0 (24 x 24 only)

Finish:

- BA Black back pan and deflectors with Appliance White face.
- SP Special _____.

Dimensions are in inches (mm).

SCHEDULE TYPE:					
PROJECT:					
ENGINEER:		DATE	B SERIES	SUPERSEDES	DRAWING NO.
CONTRACTOR:		11 - 5 - 07	4300	6 - 30 - 03	4325MR