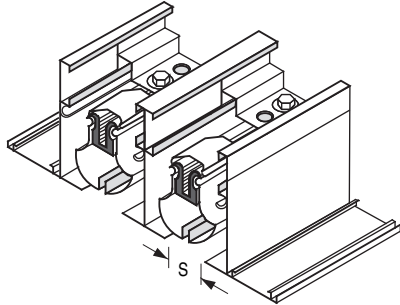




LINEAR SLOT DIFFUSERS EXTRUDED ALUMINUM MODEL SERIES: 5000

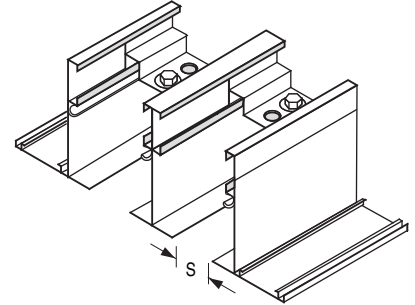
Supply Model

- 5050
(S = 1/2" [13] slot)
- 5075
(S = 3/4" [19] slot)
- 5010
(S = 1" [25] slot)



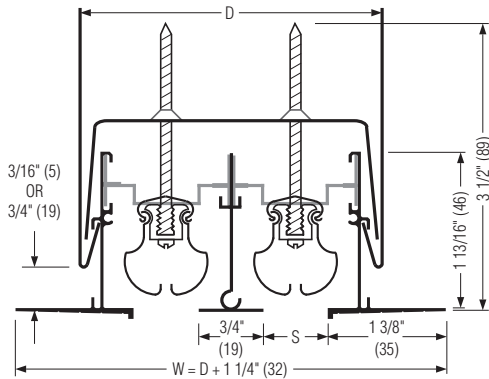
Return Model

- 5050R
(S = 1/2" [13] slot)
- 5075R
(S = 3/4" [19] slot)
- 5010R
(S = 1" [25] slot)



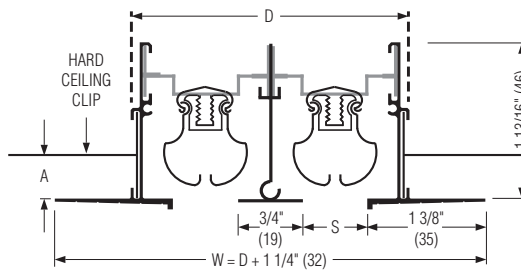
Type J

Tape & Spackle Frame /
Concealed Mounting



Types K1, K2

Tape & Spackle Frame /
Hard Ceiling Clip for 1/2" (13)
or 5/8" (16) drywall



Type	A	Hard Clip
K1	1/2" (13)	HC5
K2	5/8" (16)	HC1

FINISH:

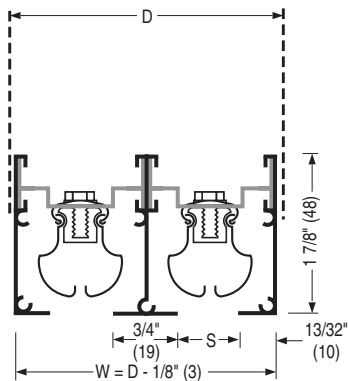
- AW Appliance White (Standard)
 - BC Brushed and clear coat lacquer
 - SP Special _____
- All with black pattern controllers

NOTES:

1. Material: Extruded aluminum frame. Corrosion-resistant steel pattern controllers.
2. The volume and direction of the discharge air can be adjusted by moving the pattern controllers.
3. Model 5000R return and the Model 5000 supply diffusers are identical except for the pattern controllers.
4. Greater than 6 foot (1829) lengths are supplied in multiple sections.
5. The maximum length of the pattern controller is 36" (914). Diffusers longer than 36" (914) are provided with multiple pattern controller sections.
6. Alignment strips on the frames and sub-frames provide superior, positive aligning.
7. Available with 1 to 10 slots.
8. Standard lengths of diffuser sections are 1, 2, 3, 4, 5 and 6 ft (305, 610, 914, 1219, 1524 and 1829).

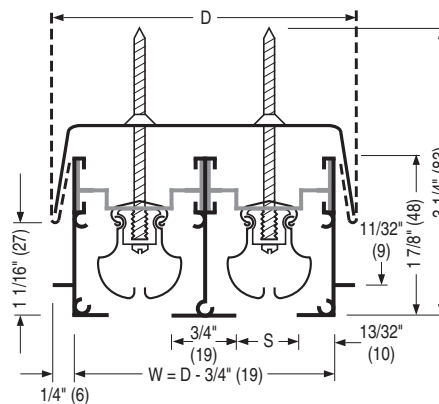
Type M

Flush Frame / Duct Mounting



Type N

Spline Frame Ceiling / Concealed Mounting



SCHEDULE TYPE:

PROJECT:

ENGINEER:

CONTRACTOR:

Dimensions are in inches (mm).

DATE

B SERIES

SUPERSEDES

DRAWING NO.

6 - 10 - 11

5000

NEW

5000-3A