



LINEAR SLOT DIFFUSERS

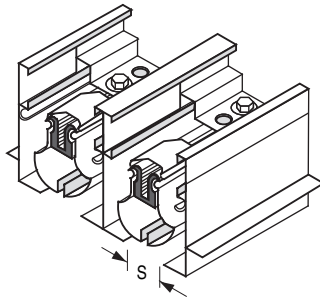
EXTRUDED ALUMINUM

FINELINE® TYPE CEILING APPLICATIONS

MODEL SERIES: 5000 TYPE FL

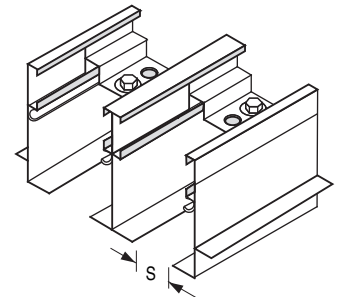
Supply Model

- 5050
(S = 1/2" [13] slot)
- 5075
(S = 3/4" [19] slot)
- 5010
(S = 1" [25] slot)



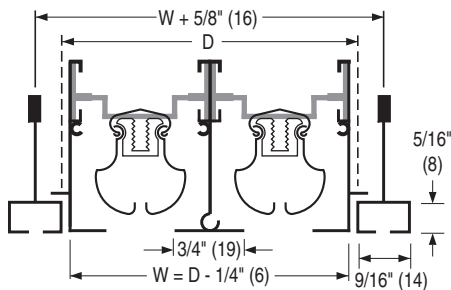
Return Model

- 5050R
(S = 1/2" [13] slot)
- 5075R
(S = 3/4" [19] slot)
- 5010R
(S = 1" [25] slot)



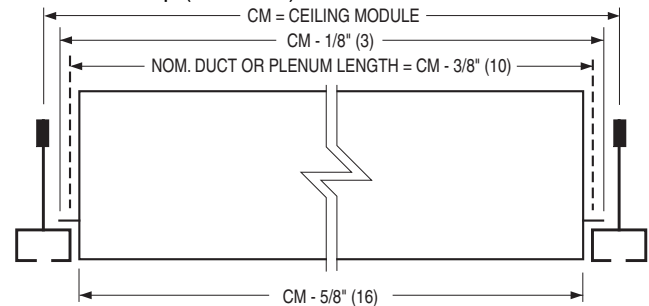
Width Type FL Frame

For Fineline® type ceilings



Length and End Cap Configuration Type MM

Mitered End Cap (Standard)



DUCT WIDTH D DIMENSION

No. of Slots	Imperial Units (inches)			Metric Units (mm)		
	5050 (R) S = 1/2	5075 (R) S = 3/4	5010 (R) S = 1	5050 (R) S = 13	5075 (R) S = 19	5010 (R) S = 25
1	1 1/2	1 3/4	2	38	44	51
2	2 3/4	3 1/4	3 3/4	70	83	95
3	4	4 3/4	5 1/2	102	121	140
4	5 1/4	6 1/4	7 1/4	133	159	184
5	6 1/2	7 3/4	9	165	197	229
6	7 3/4	9 1/4	10 3/4	197	235	273
7	9	10 3/4	12 1/2	229	273	318
8	10 1/4	12 1/4	14 1/4	260	311	362
9	11 1/2	13 3/4	16	292	349	406
10	12 3/4	15 1/4	17 3/4	324	387	451

NOTES:

- Material: Extruded aluminum frame. Corrosion-resistant steel pattern controllers.
- The volume and direction of the discharge air can be adjusted by moving the pattern controllers.
- Model 5000R return and the Model 5000 supply diffusers are identical except for the pattern controllers.
- The maximum length of the pattern controller is 36" (914). Diffusers longer than 36" (914) are provided with multiple pattern controller sections.
- Standard finish is AW Appliance White. Black pattern controllers.

OPTIONS:

Available in nominal lengths to suit both imperial and metric ceiling modules (CM) 24" and 48" (600 and 1200).

Note: Nominal 48" (1500) does not include a cross notch.

- Specify CM/Nom. length: _____

FACTORY SUPPLIED PLENUM

- 5350 5350I Insulated 1/2" (13) slot
- 5375 5375I Insulated 3/4" (19) slot
- 5310 5310I Insulated 1" (25) slot

See separate submittal for full specification and dimensional data.

Fineline® is a registered trademark of USG Interiors Inc.

SCHEDULE TYPE:

PROJECT:

ENGINEER:

CONTRACTOR:

Dimensions are in inches (mm).

DATE

B SERIES

SUPERSEDES

DRAWING NO.

6 - 10 - 11

5000

10 - 25 - 07
5000 - 3B

5000-4B