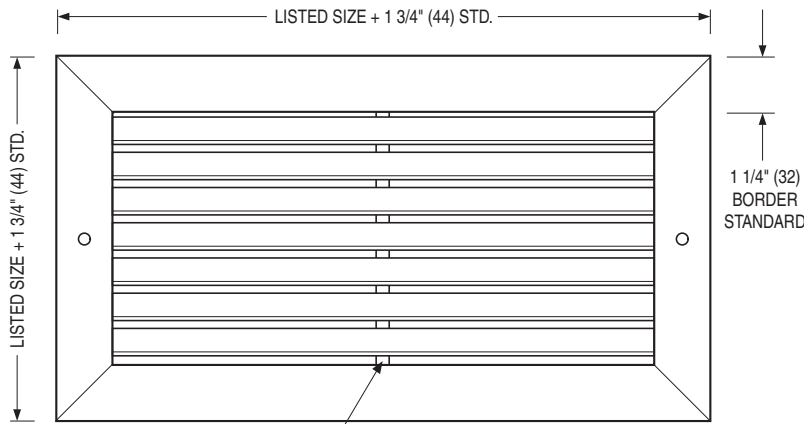
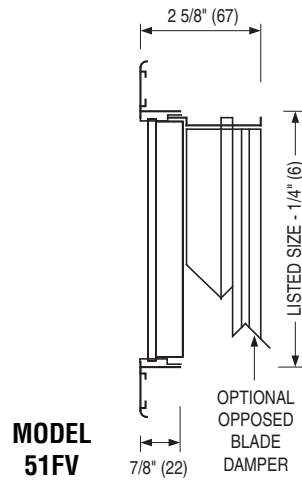
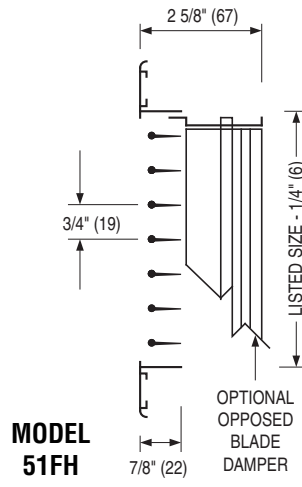
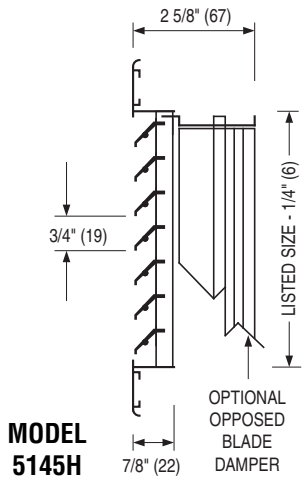




ALUMINUM RETURN GRILLES & REGISTERS
FIXED BLADES • 3/4" (19) SPACING
MODELS: 5145H(-O), 5145V(-O), 51FH(-O)
AND 51FV(-O) TYPE S



Concealed reinforcing mullions on 45 degree models are on 16" (406) max. centers.



- MODEL 5145H**
Single Deflection Grille
Fixed 45° Horizontal Blades
- MODEL 5145H-O**
Single Deflection Register
Fixed 45° Horizontal Blades
(Includes O. B. Damper)
- MODEL 5145V**
Single Deflection Grille
Fixed 45° Vertical Blades
- MODEL 5145V-O**
Single Deflection Register
Fixed 45° Vertical Blades
(Includes O. B. Damper)
- MODEL 51FH**
Single Deflection Grille
Fixed 0° Horizontal Blades
- MODEL 51FH-O**
Single Deflection Register
Fixed 0° Horizontal Blades
(Includes O. B. Damper)
- MODEL 51FV**
Single Deflection Grille
Fixed 0° Vertical Blades
- MODEL 51FV-O**
Single Deflection Register
Fixed 0° Vertical Blades
(Includes O. B. Damper)

DESCRIPTION:

1. Construction: Extruded aluminum.
Rigid heavy-gauge frame mechanically interlocked with reinforced mitered corners. Rigid streamlined shape solid blades on 3/4" (19) centers are fixed at 0 or 45 degrees to match and compliment the supply grilles and registers. 45 degree models utilize a concealed rear reinforcing mullion and utilize a single blade pack that produces a continuous louvered blade appearance. 0 degree models utilize a visible face mullion when blade length exceeds 16" (406).
2. Optional roll-formed steel opposed blade damper has a screwdriver slot operator accessible through face of register.
3. Minimum size is 4" x 4" (102 x 102).
Maximum size is 48" x 48" (1219 x 1219).
4. Type S Surface Mount standard frame has a 1 1/4" (32) face border and a 1" (25) overlap margin.
5. Standard fastening is Type A countersunk screw holes.
6. Standard finish is AW Appliance White.

OPTIONS:

1. Finish:
 - SA Satin (clear) anodized
 - SP Special _____ .
2. Fastening:
 - Type C Concealed mounting straps
 - Type N None.
3. OA Aluminum opposed blade damper.
4. Type NF Narrow frame with 1" (25) face border and a 3/4" (19) overlap margin. O.A. flange to flange dim. = listed size + 1 1/4" (32).
5. PF Plaster frame
6. IS Insect screen
7. Other _____ .

SCHEDULE TYPE:

PROJECT:

ENGINEER:

CONTRACTOR:

Dimensions are in inches (mm).

DATE	B SERIES	SUPERSEDES	DRAWING NO.
2 - 1 - 11	5100	15 - 3 - 00R	5100-3