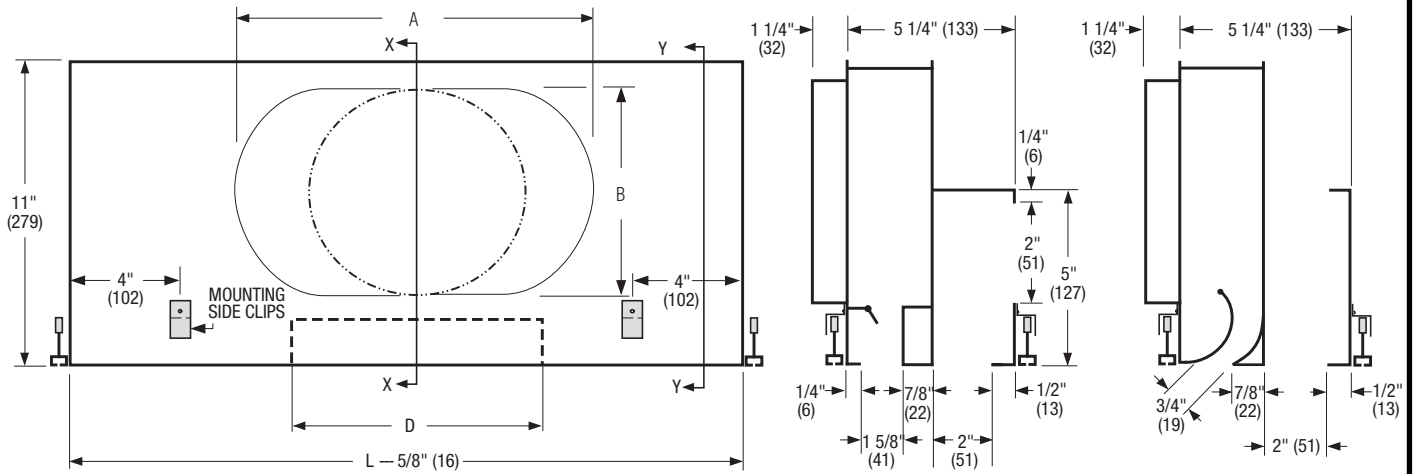




**N SERIES PLENUM SLOT DIFFUSER**  
**SUPPLY / RETURN • PREMIUM PERFORMANCE**  
**HORIZONTAL / VERTICAL DISCHARGE**  
**FINELINE® /BOLT-SLOT CEILING**  
**MODEL: 59NDR-H11-FNL**



Nominal Length L	Available down-blow slot dimension D	Available Inlet Sizes
24 (600)	8, 12 (203, 305)	6 (152) Round
48 (1219)	12,15,18 (305, 381, 457)	8 (203) Round 10 (254) Oval

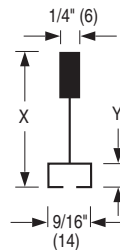
T-Bar Type (Manufacturer)	X	Y
A Armstrong Silhouette	1 3/4 (44)	5/16 (8)
C Chicago Metallic Ultraline	1 5/8 (41)	5/16 (8)
D Donn Fineline	1 25/32 (45)	5/16 (8)

**SECTION X-X**

**SR STANDARD SIDE INLET RETURN ILLUSTRATED**

**SECTION Y-Y**

**TR OPTIONAL TOP INLET RETURN ILLUSTRATED**



Nominal Inlet Size	Dimension	
	A	B
6 (152) Round	—	5 7/8 (149)
8 (203) Round	—	7 7/8 (200)
10 (Oval) Round	11 (279)	7 7/8 (200)

**DESCRIPTION:**

- The 59NDR Type FNL Supply/Return Plenum Slot Ceiling Diffusers have been designed for Fineline® type Bolt Slot suspended ceiling grids. The 48" (1219) long unit is not available with a cross notch (for 2' x 2' grids).
- The 59NDR design provides two supply air patterns and premium performance in perimeter curtain wall application. An aerodynamic extruded aluminum pattern controller provides a fixed horizontal discharge and produces a tight blanket of air into the room, maximizing coanda effect and induction of room air. A central down-blow section which incorporates two pattern controller (shipped in wide open position) provides an adjustable vertical discharge along the wall or glass in perimeter applications.

An integral return air section returns room air into the ceiling plenum, with minimal short-circuiting of supply air. Standard (SR) side inlet return section also acts as a light shield and prevents see through.

- The design is excellent for VAV, heating and cooling applications.
- Standard nominal lengths are 24" or 48" to suit imperial ceiling grids. Metric units are available.
- Plenum is corrosion resistant steel.
- Finish: BK Black pattern controllers and exposed edges.

**OPTIONS:**

- TR** Top inlet return section

**ACCESSORIES** (See submittal 59N-ACC)

- FS** Diamond Flow Sensor with extended collar and bead (6" and 8" round inlet only)
- EX** 1/2" (13) External foil back insulation
- EX1** 1" (25) External foil back insulation
- EC** 3" (76) Extended inlet collar

<b>SCHEDULE TYPE:</b>	
<b>PROJECT:</b>	
<b>ENGINEER:</b>	
<b>CONTRACTOR:</b>	

Dimensions are in inches (mm).

DATE	B SERIES	SUPERSEDES	DRAWING NO.
6 - 12 - 08	5900	5 - 12 - 08	59NDR-H11-FNL