

**PF Slot Diffuser Plaster Frame**

Slot diffuser mounting frames allow plenum slot diffusers to be installed in drywall or plaster ceilings. Installation of the frame in the ceiling is by others.

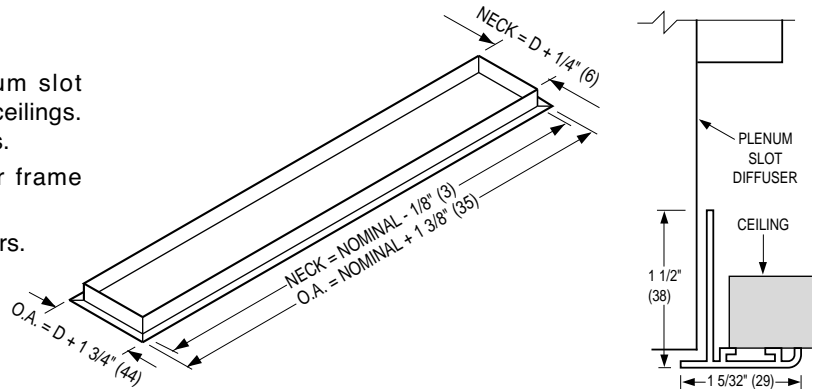
(**Note:** Diffuser will not fit through a plaster frame opening).

**Material:** Extruded aluminum with mitered corners.

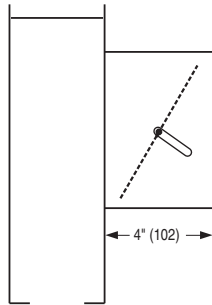
Recommended Ceiling Opening dimensions:

Width = Diffuser Width (D) + 1/2" (13)

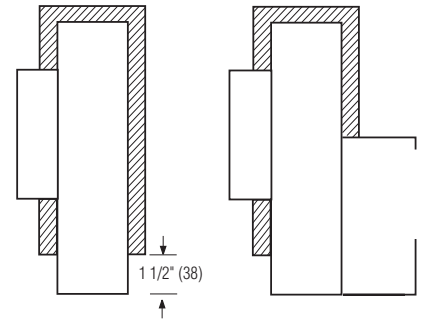
Length = Nominal Diffuser Length + 1/4" (6)

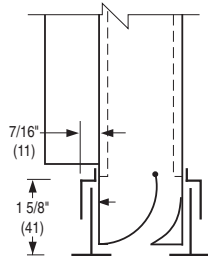

 **ID Inlet Damper**

(Supply only)

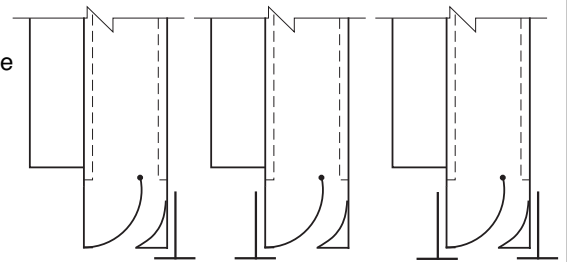

 **EX External Foil Back Insulation**
 **EX 1/2" (13) thick**
 **EX1 1" (25) thick**

Fiberglass blanket with a reinforced aluminum foil scrim-craft (FSK) facing, providing a vapor barrier.


 **Mounting Clips**
 **M1 One Side**  
 (2 opposite inlet side)

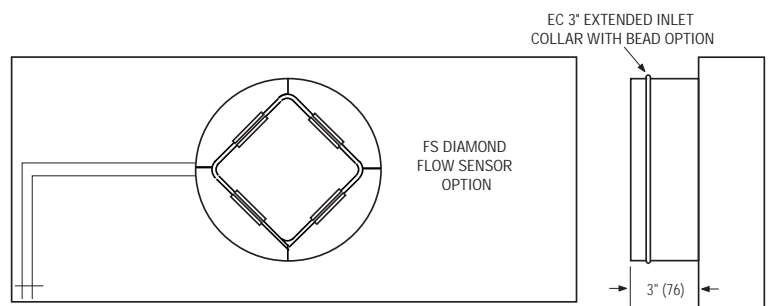
 **M2 Both sides** (4)

 **Supplementary T-Bars**
 **T1 One on inlet side**
 **T0 One opposite inlet side**
 **T2 Two on both sides**

**Note:** Center T-Bars are supplied by **Nailor** as standard.


 **EC Extended Inlet Collar with Bead**
 **FS Diamond Flow Sensor with Extended Inlet Collar and Bead**

Optional multi-point Diamond Flow sensor provides accurate field balancing. Gauge taps are conveniently located flush in the slot face eliminating the need for ceiling access. Includes 3" extended inlet collar.

6" and 8" round only.



**SCHEDULE TYPE:**

**PROJECT:**

**ENGINEER:**

**CONTRACTOR:**

Dimensions are in inches (mm).

DATE

B SERIES

SUPERSEDES

DRAWING NO.

8 - 26 - 08

59N

6 - 13 - 08

59N/BS-ACC