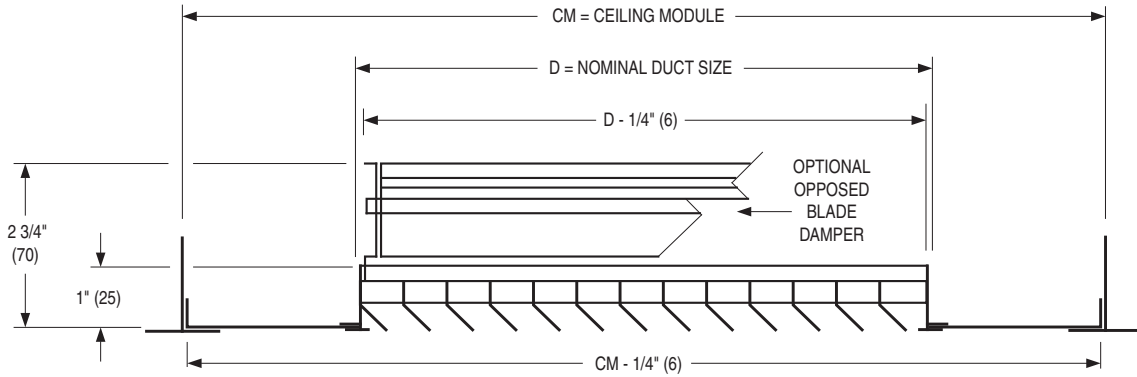




STEEL RETURN GRILLES & REGISTERS
FIXED BLADES
PANEL MOUNTED • LAY-IN T-BAR
MODELS: 6145H(-O) TYPE PLS

FOR LAY-IN T-BAR TYPE CEILING SYSTEMS



AVAILABLE CEILING MODULE SIZES		
Imperial Modules		Metric Modules
Imperial Units (in.)	Metric Units (mm)	S.I. Units (mm)
12 x 12	305 x 305	300 x 300
24 x 12	610 x 305	600 x 300
36 x 12	914 x 305	900 x 300
48 x 12	1219 x 305	1200 x 300
20 x 20	508 x 508	500 x 500
24 x 24	610 x 610	600 x 600
36 x 24	914 x 610	900 x 600
48 x 24	1219 x 610	1200 x 600

Maximum Duct/Neck Size D = Ceiling Module - 3" (76)

- MODEL 6145H** Return Air Grille • 45° Deflection
Type PLS Steel Panel
- MODEL 6145H-O** Return Air Register • 45° Deflection
(Includes O. B. Damper)
Type PLS Steel Panel

DESCRIPTION:

1. Material: Corrosion-resistant steel grille mounted in an extended panel.
2. Roll-formed steel blades are fixed at 45 degree deflection on 3/4" (19) centers. They are reinforced with concealed mullions on 16" (406) maximum centers.
3. Models 6145H and 6145H-O with Type PLS have been specially designed for return air applications and to integrate with and compliment standard exposed grid T-Bar suspended ceiling systems. The return grille or register is mechanically assembled and using a special frame captures the module sized panel, which eliminates welding and assures a clean smooth blemish free painted finish.
4. Optional roll-formed steel opposed blade damper has a screwdriver slot operator accessible through face of register.
5. Standard finish is AW Appliance White.

OPTIONS:

1. Finish:
 - SP Special _____ .

SCHEDULE TYPE:	Dimensions are in inches (mm).
PROJECT:	
ENGINEER:	
CONTRACTOR:	

DATE	B SERIES	SUPERSEDES	DRAWING NO.
2 - 1 - 11	6100	NEW	6100-5