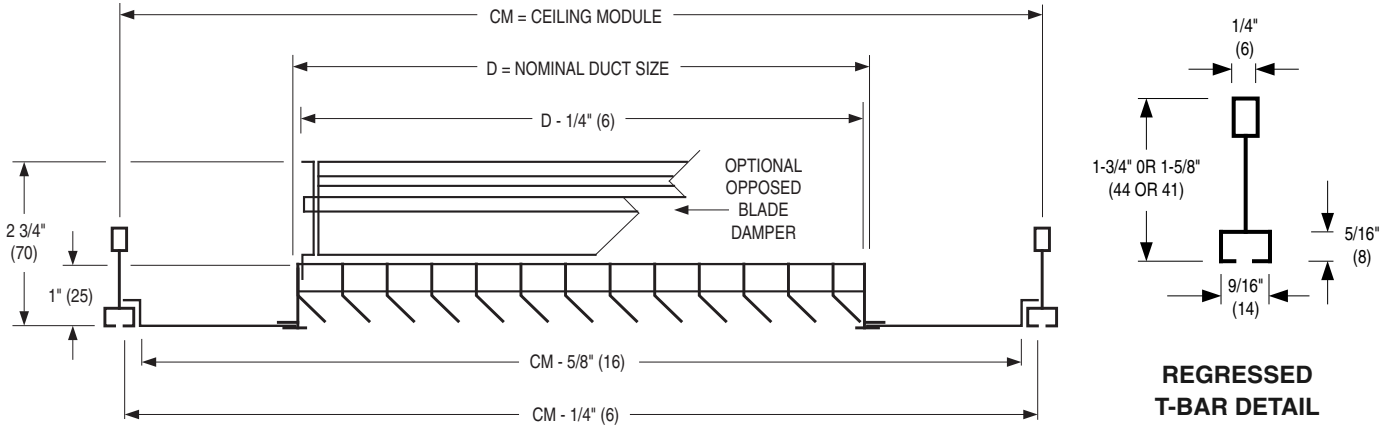




STEEL RETURN GRILLES & REGISTERS
 FIXED BLADES • 3/4" (19) SPACING
 PANEL MOUNTED • NARROW REGRESSED T-BAR
MODELS: 6145H(-O) TYPE FPS

FOR FINELINE® TYPE CEILING SYSTEMS



| AVAILABLE CEILING MODULES (CM) | | | AVAILABLE DUCT/NECK SIZES |
|--------------------------------|-----------------|-----------------|-----------------------------------------------------------------------|
| Imperial Modules | | Metric Modules | |
| Imperial Units (inches) | S.I. Units (mm) | S.I. Units (mm) | |
| 20 x 20 | 508 x 508 | 500 x 500 | 6" x 6" (152 x 152) up to 16" x 16" (406 x 406) in 2" (51) increments |
| 24 x 24 | 610 x 610 | 600 x 600 | 6" x 6" (152 x 152) up to 20" x 20" (508 x 508) in 2" (51) increments |

- MODEL 6145H** Return Air Grille
45° Deflection
Type FPS Steel Panel
- MODEL 6145H-O** Return Air Register
45° Deflection
(Includes O. B. Damper)
Type FPS Steel Panel

DESCRIPTION:

- Material: Corrosion-resistant steel mounted in an extended panel.
- Roll-formed steel blades are fixed at 45 degree deflection on 3/4" (19) centers. They are reinforced with concealed mullions on 16" (406) max. centers.
- Models 6145H and 6145H-O Type FPS have been specially designed for return air applications and to integrate with and compliment regressed 'narrow-tee' type T-Bar suspended ceiling systems. The return grille or register is mechanically assembled and using a special frame captures the module sized panel, which eliminates welding and assures a clean smooth blemish free painted finish.
- Optional roll-formed steel opposed blade damper has a screwdriver slot operator accessible through face of register.
- Standard finish is AW Appliance White.

OPTIONS:

- Finish:
 - SP Special _____ .
 - Other _____ .

Fineline® is a registered trademark of USG Interiors Inc.

| | | | | |
|-----------------------|--------------------------------|-----------------|-------------------|--------------------|
| SCHEDULE TYPE: | Dimensions are in inches (mm). | | | |
| PROJECT: | | | | |
| ENGINEER: | DATE | B SERIES | SUPERSEDES | DRAWING NO. |
| CONTRACTOR: | 2 - 1 - 11 | 6100 | 6100-3D/12-10-00 | 6100-6 |