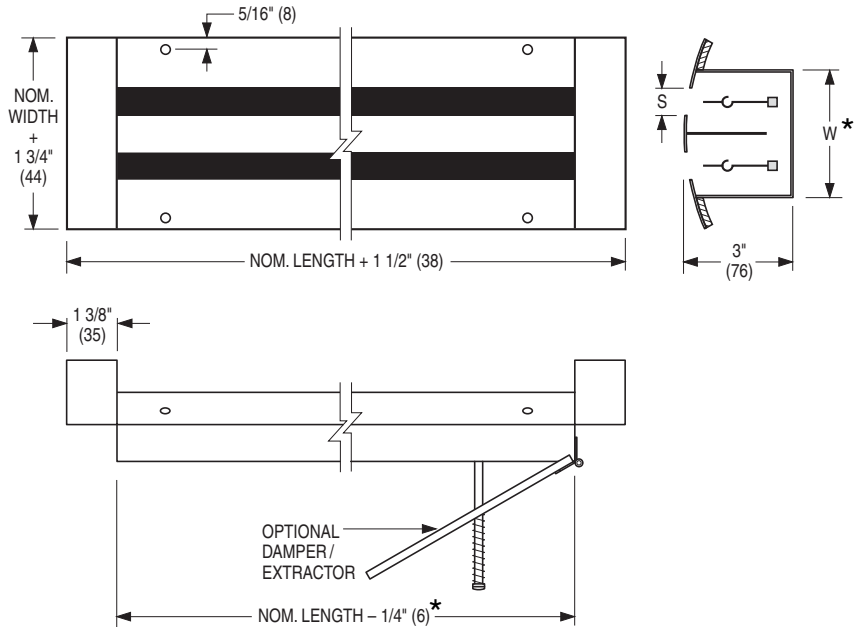
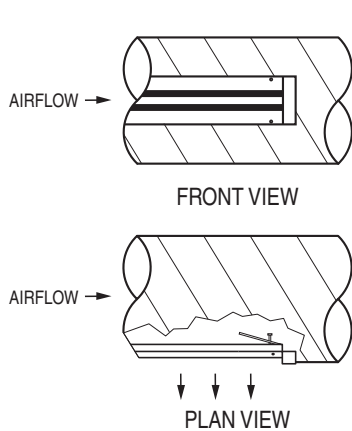




STEEL CURVED SPIRAL DUCT GRILLES
 TRUE FULL RADIUS DESIGN
 LINEAR SLOT FACE
MODELS: 61L50C, 61L75C AND 61L10C



Available Slot Widths:

- 61L50C** 1/2" (13) Slot
- 61L75C** 3/4" (19) Slot
- 61L10C** 1" (25) Slot

Standard No. of Slots:

1, 2, 3 or 4

Available Lengths:

12" through 72"
 (nominal 1" increments only)

Available Sizes

No. of Slots	61L50C		61L75C		61L10C	
	S = 1/2" (13)		S = 3/4" (19)		S = 1" (25)	
	W	Duct Dia. Min. - Max.	W	Duct Dia. Min. - Max.	W	Duct Dia. Min. - Max.
1	1 3/4 (44)	6 - 36 (152-914)	2 (51)	6 - 36 (152-914)	2 1/4 (57)	6 - 36 (152-914)
2	3 (76)	6 - 36 (152-914)	3 1/2 (89)	6 - 36 (152-914)	4 (102)	6 - 36 (152-914)
3	4 1/4 (108)	8 - 36 (203-914)	5 (127)	8 - 36 (203-914)	5 3/4 (146)	8 - 36 (203-914)
4	5 1/2 (140)	8 - 36 (203-914)	6 1/2 (165)	10 - 36 (254-914)	7 1/2 (191)	10 - 36 (254-914)

W = Nominal Width (duct opening)

* Opening = Nominal + 1/4" (6) with DEX Damper/Extractor option.

S = Slot Width

Duct diameters in even sizes only.

Important:

Grilles are custom fabricated to fit only a single specified duct diameter.

DESCRIPTION:

- Nailor's unique curved spiral duct grille design offers an architecturally superior appearance and saves installation time and money by directly mounting to the duct and hence eliminating the need to fabricate stand-off saddles for standard grilles.
- Construction: Unique corrosion resistant steel frame design is rolled to match required duct radius. Extruded aluminum "Wiper Blade" pattern controllers with gasket edge seal. The volume and direction of the discharge air can be adjusted by moving the pattern controllers.
- A thick foam gasket is provided as standard to ensure a tight seal to duct.
- Standard fastening is Type A screw holes.
- Standard finish is AW Appliance White frame with black pattern controllers.

Options:

- DEX Damper/Extractor* (Air scoop) (For supply air applications).

Finish:

- SP Special. Specify _____.

SCHEDULE TYPE		Dimensions are in inches (mm).			
PROJECT					
ENGINEER		DATE	B SERIES	SUPERSEDES	DRAWING NO.
CONTRACTOR		9 - 22 - 11	6100C	2 - 1 - 11	6100C-5