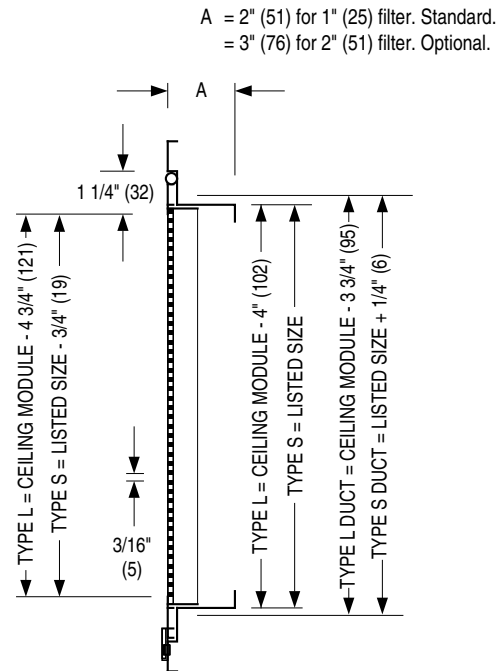
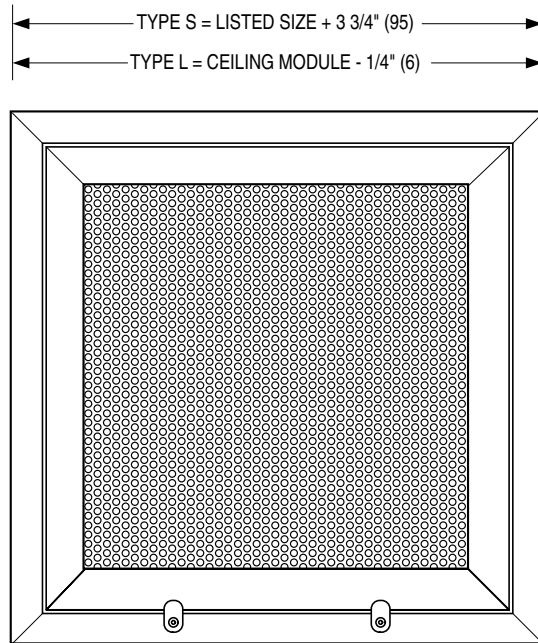




STEEL FILTER RETURN GRILLES PERFORATED CORE MODEL: 61FP TYPE S OR L



FRAME/BORDER:

- Type S** Surface Mount
- Type L** Lay-in T-Bar

DESCRIPTION:

1. Material: Corrosion-resistant steel.
2. Provision for 1" (25) filter (by others) is standard.
3. Type S available in nominal sizes 6" x 4" (152 x 102) through 48" x 36" (1219 x 914) maximum in 1" (25) increments. Type L is available in ceiling module sizes: 12" x 12", 24" x 12", 24" x 24", 36" x 12", 36" x 24" and 48" x 24" (305 x 305, 610 x 305, 610 x 610, 914 x 305, 914 x 610 and 1219 x 610). Metric available.
4. Perforated face has 3/16" (5) holes on staggered 1/4" (6) centers. 51% free area.
5. Core is hinged and secured by 1/4 turn latches. Core panel is hinged on width dimension at top as standard (HT).

For other hinging requirements, specify one of the following:

- HB Hinged Bottom
- HL Hinged Left (facing grille)
- HR Hinged Right (facing grille)

6. Type N standard fastening is with sheet metal screws, (by others), through the neck of the outer frame for Type S Surface Mount installation.
7. Standard Finish: AW Appliance White.

OPTIONS:

1. Finish:
 - SP Special _____
2. F2 Provision for 2" (51) filter (by others).
3. Core Fastening:
 - KK Knurled knob
 - QT 1/4 turn slotted fastener
4. Installation Fastening:
 - Type A Countersunk screwholes on face of outer frame (Type S Model).

SCHEDULE TYPE:	Dimensions are in inches (mm).			
PROJECT:				
ENGINEER:	DATE	B SERIES	SUPERSEDES	DRAWING NO.
CONTRACTOR:	2 - 1 - 11	61F	61FB-3/8-8-03	61F-3