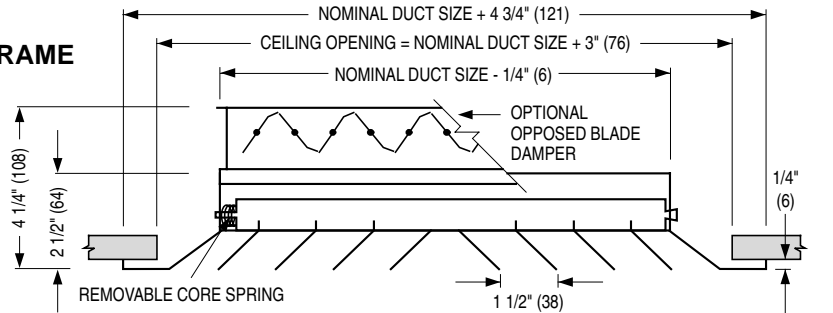




**PATTERN CEILING DIFFUSERS**  
**ALUMINUM • SQUARE, RECTANGULAR OR**  
**ROUND NECK**  
**MODELS: 6400 AND 6400-O TYPES S & B**

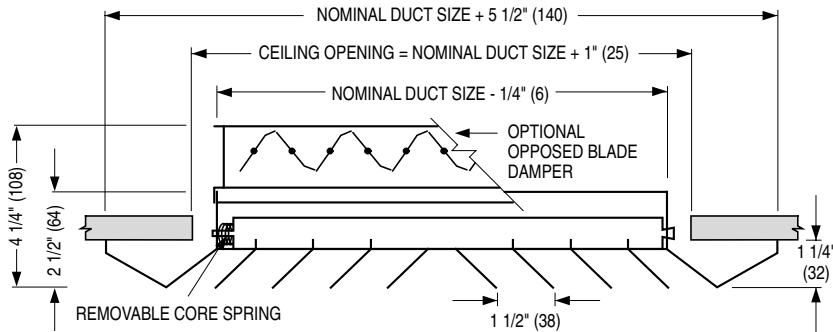
**TYPE S • SURFACE MOUNT • FLAT FRAME**

Minimum duct size: 6 x 6 (152 x 152)  
 Maximum duct size: 36 x 36 (914 x 914)  
 or 36 x 24 (914 x 610) with O.B.D.  
 Available in 3" (76) increments only.



**TYPE B • BEVELED DROP FACE**  
**• SURFACE MOUNT**

Minimum duct size: 6 x 6 (152 x 152)  
 Maximum duct size: 36 x 36 (914 x 914)  
 or 36 x 24 (914 x 610) with O.B.D.  
 Available in 3" (76) increments only.



**CORE STYLE SELECTION**

	SQUARE	RECTANGULAR	
→ 1-WAY	□ 1S	□ 1A	□ 1B
↕ 2-WAY	□ 2S	□ 2A	□ 2B
↙↘ 2-WAY CORNER	□ 2G	□ 2E	□ 2F
↕ 3-WAY	□ 3A	□ 3A1 (A is greater than B)	□ 3A2 (B is less than A but greater than A/2)
		□ 3B (B is equal to A/2)	□ 3E (B is less than A/2)
↕ 4-WAY	□ 4A	□ 4B	□ 4C

Patterns are shown in plan view (looking down into inlet).

**DESCRIPTION:**

1. Material: Aluminum.
2. Model 6400 is an extra high capacity ceiling diffuser available in 1, 2, 3 or 4-way blow patterns. The diffusers are designed to create an induction effect which causes rapid mixing of room air and primary air and reduces discharge velocity. These diffusers rely upon the ceiling coanda effect in order to maintain the horizontal air pattern and catalogued throws. Suitable for normal ceiling heights of 9 – 10 feet.
3. Spring-loaded removable core.
4. Standard finish is AW Appliance White.

**ACCESSORIES (OPTIONAL):**

**SQUARE AND RECTANGULAR NECK**

- Steel opposed blade damper. Model 6400-O.
- Aluminum opposed blade damper. Model 6400-OA.

**ROUND NECK**

- SQR Square to round transition collar
- SQR-O Square to round transition collar for use over O.B.D.
- 4275 Radial Opposed Blade Damper (round)
- 4250 Radial Sliding Blade Damper (round)
- 4675 Butterfly Damper (round)

**OPTIONAL FINISH:**

- SP Special. Specify \_\_\_\_\_.

<b>SCHEDULE TYPE:</b>	Dimensions are in inches (mm).			
<b>PROJECT:</b>				
<b>ENGINEER:</b>	<b>DATE</b>	<b>B SERIES</b>	<b>SUPERSEDES</b>	<b>DRAWING NO.</b>
<b>CONTRACTOR:</b>	4 - 24 - 03	6400	7 - 4 - 00R	6400-1