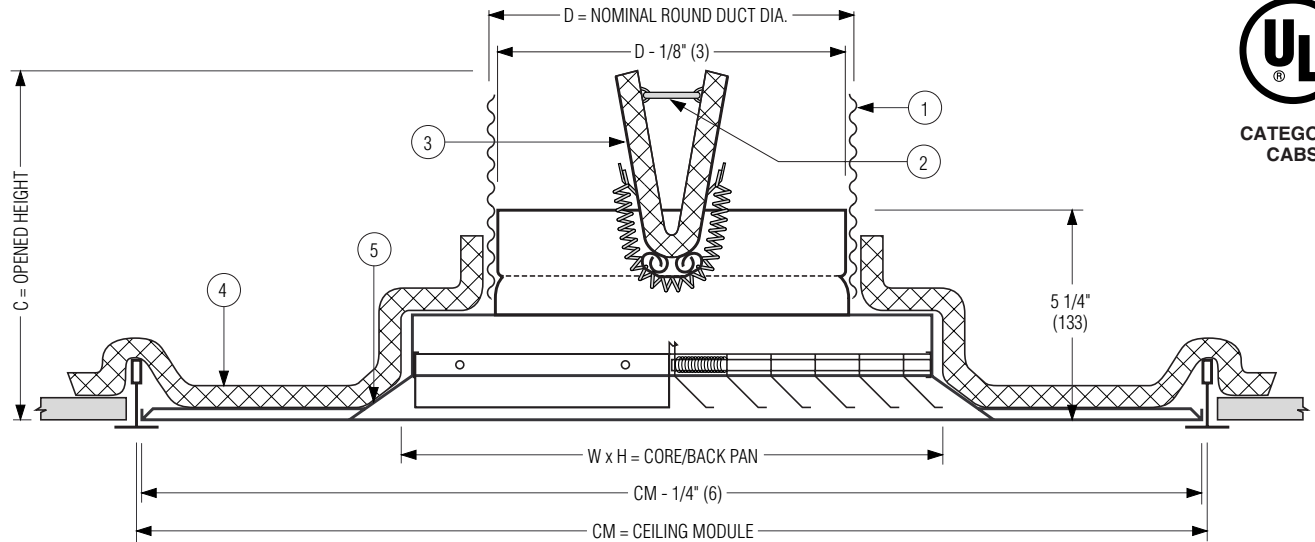




**FIRE RATED MODULAR CORE CEILING DIFFUSER**  
 1, 2, 3 OR 4-WAY ADJUSTABLE DISCHARGE PATTERN  
 STEEL • ROUND NECK  
 MODEL: 7505FRD



CATEGORY  
CABS



**Dimensional Data and Sizing Availability:**

Ceiling Module	Core/Back Pan	Round Neck	Opening Height
CM	W x H	D	C
12 x 12	9 x 9	6	6 1/2
		8	7 1/2
24 x 24	9 x 9	6	6 1/2
		8	7 1/2
	10 x 10	6	6 1/2
		8	7 1/2
	12 x 12	8	7 1/2
		10	8 1/2
15 x 15	12	10	8 1/2
		12	9 1/2
18 x 18	14	14	10 1/2
		14	10 1/2

Note: If square ceiling module is more than 3" (76) larger than the square neck (core/back pan), a module sized extended panel is utilized.

**ITEMS:**

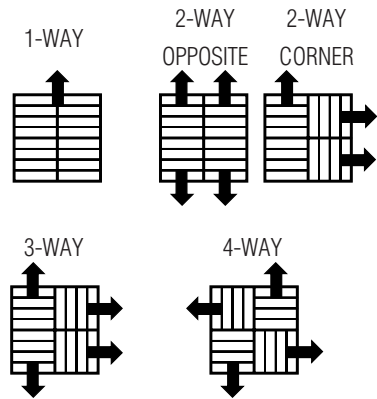
1. Flexible air duct (UL Class 0 or 1) connector or steel duct.
2. U.L. Listed fusible link. 212°F (100°C) standard.
3. Ceiling radiation damper (Model 0722).
4. Ceramic fibre thermal blanket accessory (Model 0725).
5. Corrosion resistant steel diffuser.

**DESCRIPTION:**

1. All models are classified for use in UL restrained or unrestrained floor/ceiling and or roof/ceiling assemblies which incorporate an exposed grid suspended ceiling (lay-in T-bar) with up to a 3 hour rating. For details of fire rated assemblies, see the current UL Fire Resistance Directory.
2. The diffuser consists of four spring loaded modular cores that may be simply adjusted by rotating each module after installation to provide a 1, 2, 3 or 4-way blow pattern. A tight horizontal air pattern from maximum to minimum flow makes it ideal for VAV applications.

**Modular Core Adjustments**

(The Model 7505FRD is shipped with the core set for 4-way discharge).



3. The fixed radiation damper is standard. The AV adjustable option is not available on this model as the core restricts access. Balancing should be performed by installing a remote damper in the duct take-off.
- 4.. Standard finish is AW Appliance white.

**OPTIONS:**

1. Non-standard temperature U.L. Listed fusible link.
  - 165°F (74°C)     286°F (141°C)
2. Finish:
  - SP Special. Specify \_\_\_\_\_.

**For installation instructions, see dwgs. 0700-8A and 8B.**

Dimensions are in inches (mm).

**SCHEDULE TYPE:**

**PROJECT:**

**ENGINEER:**

**CONTRACTOR:**

DATE

B SERIES

SUPERSEDES

DRAWING NO.

24 - 2 - 99RR

7500FRD

4 - 28 - 97

7500FRD-2