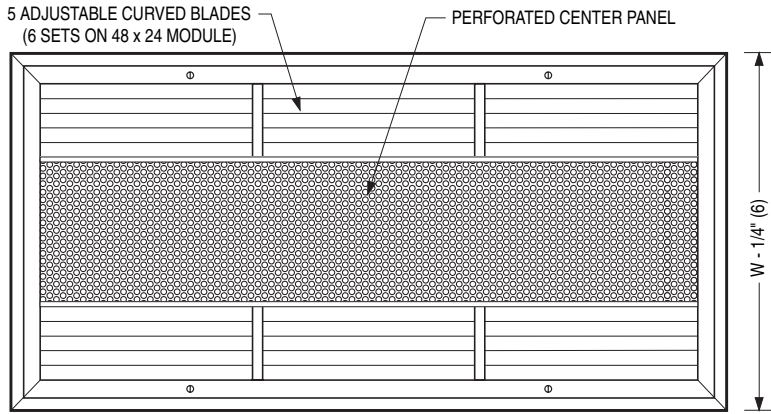
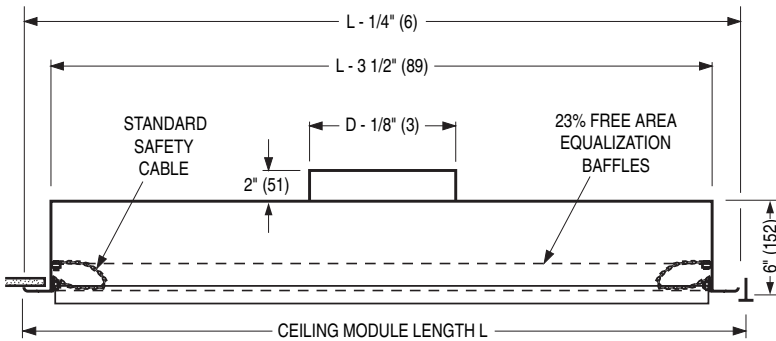
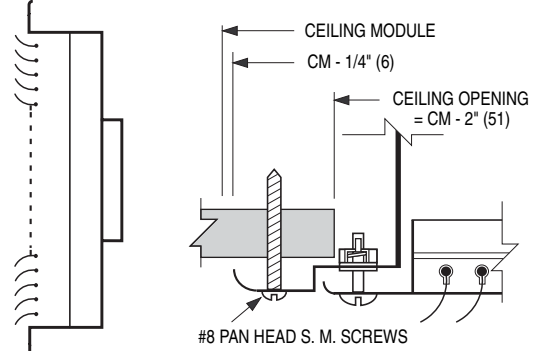




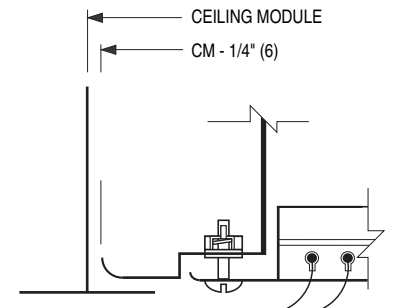
**RADIAL PATTERN DIFFUSER**  
 ADJUSTABLE CURVED BLADES AND  
 PERFORATED PANEL • REMOVABLE FACE  
**MODEL: 92CBPRP ALUMINUM / STEEL PLENUM**



**TYPE S Surface Mount Detail**



**TYPE L\* Lay-in T-Bar Detail**



\*Compatible with all T-Bars up to 2" (51) wide.

**Ceiling Module Sizes L x W & Nominal Round Duct Sizes D**

L x W	Imperial Modules (inches)		24 x 24	48 x 24
	Metric Modules (mm)		600 x 600	1200 x 600
	Duct Size D	(inches)	8, 10	10, 12
		(mm)	203, 254	254, 305

**DESCRIPTION:**

The 92CBPRP has been designed to provide an adjustable radial air pattern for delivering high volumes of low velocity air.

Two sets of individually adjustable curved blade pattern controllers provide field control flexibility and can be set to produce custom, effective directional control with minimum resistance and noise generation. The center perforated panel ensures a controlled blow pattern directly below the diffuser. Internal air baffles in the plenum equalizes air flow across the diffuser face.

The hemispherical 180° air pattern provides higher air volumes with much shorter throws than conventional diffusers. Suitable for pharmaceutical manufacturing, biotechnology research, laboratories, food processing and other cleanroom applications.

**CONSTRUCTION:**

1. Extruded aluminum frame and blades. Steel perforated face with 3/16" dia. holes on 1/4" (6) staggered centers (51% free area). The face panel is removable for cleaning and is secured by 1/4 turn fasteners.
2. Corrosion resistant steel backpan and baffles.
3. Standard safety cables prevent accidental dropping of removable face.
4. Standard finish is AW Appliance White baked enamel finish.

**OPTIONS:**

Finish:

- BA Appliance White face with black backpan and baffles (hides internal components from view).
- Other \_\_\_\_\_.

**ACCESSORIES:**

- DFA Aluminum Drywall / Plaster Frame. Provides simple easy installation of Type L in hard ceilings. (See sub. dwg. ACC-DFA)

**SCHEDULE TYPE**

**PROJECT**

**ENGINEER**

**CONTRACTOR**

Dimensions are in inches (mm).

**DATE**

**B SERIES**

**SUPERSEDES**

**DRAWING NO.**

4 - 20 - 10

9200

11 - 8 - 07

92CBPRP