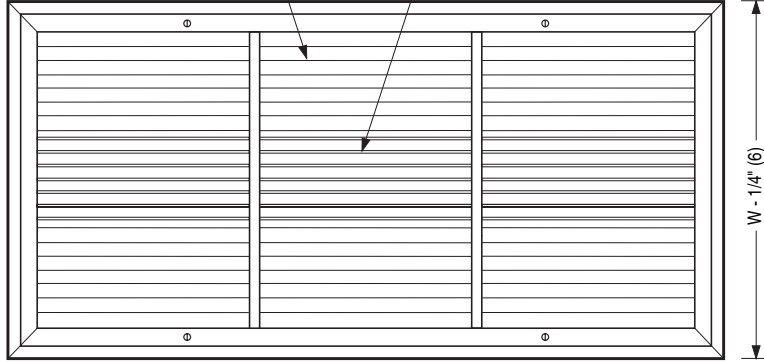




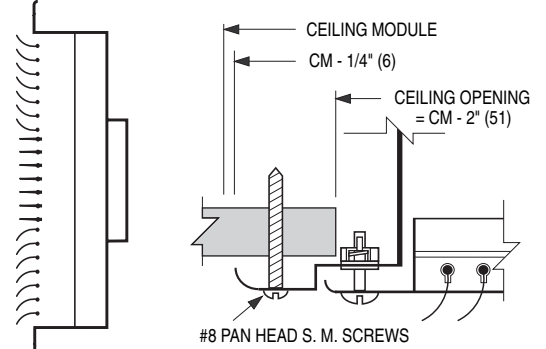
RADIAL PATTERN DIFFUSER
 ADJUSTABLE CURVED BLADES AND STRAIGHT
 BLADE CENTER PANEL • REMOVABLE FACE
MODEL: 92CBSRP-AL ALUMINUM

7 ADJUSTABLE CURVED BLADES
 (6 SETS ON 48 x 24 MODULE)

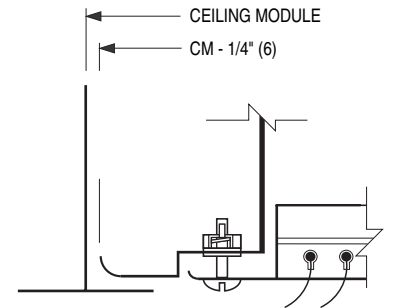
7 ADJUSTABLE STRAIGHT BLADES
 CENTER PANEL



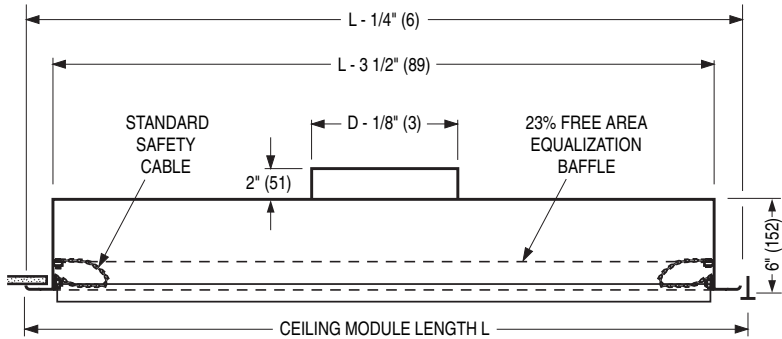
TYPE S Surface Mount Detail



TYPE L* Lay-in T-Bar Detail



*Compatible with all T-Bars up to 2" (51) wide.



Ceiling Module Sizes L x W & Nominal Round Duct Sizes D

L x W	Imperial Modules (inches)		
	24 x 24	48 x 24	
	Metric Modules (mm)		
	600 x 600	1200 x 600	
Duct Size D	(inches)	8, 10	10, 12
	(mm)	203, 254	254, 305

DESCRIPTION:

The 92CBSRP has been designed to provide an adjustable radial air pattern for delivering high volumes of low velocity air.

Two sets of individually adjustable curved blade pattern controllers provide field control flexibility and can be set to produce custom, effective directional control with minimum resistance and noise generation. The straight blade center panel permits a controlled blow pattern adjustment directly below the diffuser. Internal air baffles in the plenum equalizes air flow across the diffuser face.

The hemispherical 180° air pattern provides higher air volumes with much shorter throws than conventional diffusers. Suitable for pharmaceutical manufacturing, biotechnology research, laboratories, food processing and other cleanroom applications.

CONSTRUCTION:

1. Extruded aluminum frame and blades. The face panel is removable for cleaning and is secured by 1/4 turn fasteners.
2. Aluminum backpan and baffles.
3. Standard safety cables prevent accidental dropping of removable face.
4. Standard finish is AW Appliance White baked enamel finish.

OPTIONS:

Finish:

- BA Appliance White face with black backpan and baffles (hides internal components from view).
- Other _____

ACCESSORIES:

- DFA Aluminum Drywall / Plaster Frame. Provides simple easy installation of Type L in hard ceilings. (See sub. dwg. ACC-DFA)

SCHEDULE TYPE

PROJECT

ENGINEER

CONTRACTOR

Dimensions are in inches (mm).

DATE

B SERIES

SUPERSEDES

DRAWING NO.

4 - 20 - 10

9200

11 - 8 - 07

92CBSRP-AL